

Closed Session

Consent Agenda

November 29, 2022

MET IN REGULAR SESSION

The Board of Supervisors met in regular session at 10:00 A.M. All members present. Chairman Wichman presiding.

PLEDGE OF ALLEGIANCE

1. CONSENT AGENDA

After discussion was held by the Board, a motion was made by Grobe, and second by Schultz, to approve:

- A. November 22, 2022, Minutes as read.

UNANIMOUS VOTE. Motion Carried.

2. SCHEDULED SESSIONS

Brenda Mainwaring/President & CEO, Iowa West Foundation appeared before the Board to provide an update and discuss the 2022 Award Cycle 3.

Kristine Sorensen/Executive Director, Western Iowa Development Association appeared before the Board to discuss the funding of \$70,000 for FY 23/24. Discussion only. No action.

Board approved the WIDA FY 22/23 invoice for \$50,000 which was budgeted. Invoice will be paid. Discussion only. No action taken.

Linda Swolley/Tax & Deed Specialist appeared before the Board to discuss the commissioner's rate for the new levee district with Harrison County. The Board would like a meeting with Harrison County on who oversees the commissioner's rate. Discussion only. No action taken.

Jeff Franco/Deputy Director, Conservation and Mark Shoemaker/Director, Conservation appeared before the Board to answer questions regarding the Ski Instructor position to be an employee versus a contractor. Discussion only. No action taken.

Motion by Shea, second by Schultz, to approve the job description of Marketing Coordinator Seasonal Intern for Conservation.

UNANIMOUS VOTE. Motion Carried.

3. RECEIVED/FILED

- A. Salary Action(s):
 - 1) Conservation – Employment of Hollie Larson as a Hospitality and Guest Services worker.
 - 2) Conservation – Employment of Jada Larsen, Nate Jensen, and Taylor Hills as Rental Shop Team Members.
 - 3) Conservation – Employment of Samuel Raine as a Snowmaking Team Member.
 - 4) Conservation – Payroll status change for Nicole Truax.
- B. Reports:
 - 1) Sheriff's Report of Fees Disbursed and Collected for October 2022.

4. PUBLIC COMMENTS

No Public Comments.

5. CLOSED SESSION

Motion by Schultz, second by Belt, to go into Closed Session pursuant to Iowa Code 21.5 (1)(i) for discussion and/or decision on personnel matters.

Roll Call Vote: AYES: Wichman, Belt, Grobe, Schultz, Shea. Motion Carried.

Motion by Shea, second by Grobe, to go out of Closed Session.

Roll Call Vote: AYES: Wichman, Belt, Grobe, Schultz, Shea. Motion Carried.

Motion by Shea, second by Belt, to go into Closed Session pursuant to Iowa Code 20.17 (3) for discussion and/or decision on labor negotiations/collective bargaining matters.

Roll Call Vote: AYES: Wichman, Belt, Grobe, Schultz, Shea. Motion Carried.

Motion by Shea, second by Belt, to go out of Closed Session.

Roll Call Vote: AYES: Wichman, Belt, Grobe, Schultz, Shea. Motion Carried.

6. ADJOURN

Motion by Grobe, second by Shea, to adjourn meeting.

UNANIMOUS VOTE. Motion Carried.

THE BOARD ADJOURNED SUBJECT TO CALL AT 1:05P. M.

Tim Wichman, Chairman

ATTEST: _____
Melvyn Houser, Auditor

APPROVED: December 6, 2022

PUBLISH: X

I, Melvyn Houser, Auditor of Pottawattamie County, verify the following to be a correct copy of all claims allowed by the Pottawattamie County Board of Supervisors for the month of November 2022.

Vendor Name	Payable Description	Total Payments
3312 WEST BROADWAY PROPERTIES LLC	RENT - PUBLIC HEALTH	1,530.00
3RD DEGREE SCREENING INC	PROF SVC - HR	145.00
A VITAL SIGNS UNLIMITED INC	PROF SVC - ENV HEALTH	2,572.80
AARON KECK	ELECTION WORK - AUDITOR	236.00
AARON SOUCIE	REIMB EXP - SHERIFF	51.72
ABBE CENTER FOR COMMUNITY MENTAL HEALTH	RCF - SWIA MHDS REGION	8,851.66
ABBIE ASHCRAFT	REIMB EXP - SWIA MHDS REGION	98.82
ABC ELECTRIC INC	ROADS/REPAIR - UNDERWOOD	234.00
ACCURATE LAWN & IRRIGATION LLC	PROF SVC - JAIL	6,734.00
ACME RESTORATIONS INC	PROF SVC - SHERIFF	3,345.61
ACTION SIGNS INC	PROF SVC - B&G	19.50
ADAM KLEIN	REIMB EXP - IT	8.25
ADRIENNE KARR	ELECTION WORK - AUDITOR	186.34
ADVANCE SOUTHWEST IOWA CORPORATION	PROF SVC - PLANNING	1,480.31
AGRILAND FS INC	FUEL - CONSERVATION	4,799.49
AGRIVISION GROUP LLC	PROF SVC - ENV HEALTH	2,024.78
AHLERS & COONEY PC	LEGAL SVC - CO ATTORNEY	2,626.00
AIRGAS INC	ROADS/SUPPLIES	160.07
AJR PROPERTIES INC	RENT ASSIST - GA	600.00
ALEGENT CREIGHTON CLINIC	MED SVC - CONSERVATION	1,271.00
ALEGENT HEALTH BERGAN MERCY HEALTH SYSTEM	MED SVC - JAIL	410.59
ALEGENT HEALTH BERGAN MERCY HEALTH SYSTEM	MED SVC - JAIL	1,653.23
ALEGENT HEALTH PSYCHIATRIC ASSOCIATES	MED SVC - SWIA MHDS REGION	354.40
ALEXIA QUANDT	ELECTION WORK - AUDITOR	200.00
ALFREDO GARCIA	ROADS/ROCK	8,009.63
ALICIA BECKMAN-PETERSEN	ELECTION WORK - AUDITOR	77.55
ALISON KENNEDY	ELECTION WORK - AUDITOR	397.50
ALL COPY PRODUCTS INC	PROF SVC - WIC	54.76
ALUVII INC	SUPPLIES - CONSERVATION	836.00
AMANDA HEIMS	LEGAL REP - BOARD	2,310.00
AMAZON CAPITAL SERVICES INC	SUPPLIES - B&G	3,606.93
AMERICAN FENCE COMPANY LLC	PROF SVC - ENV HEALTH	2,242.23
AMERICAN LEGION POST 227	PRECINT RENT - AUDITOR	200.00
AMERICAN NATIONAL BANK	MO BILL - JAIL	40,338.63
AMERICAN PUBLIC HEALTH ASSOCIATION (APHA)	MEMBERSHIP - PUBLIC HEALTH	205.00
AMPED ELECTRIOC LLC	PROF SVC - CONSERVATION	360.00
ANDREA C FREENY	TRANSCRIPTS - CO ATTORNEY	41.50
ANDREW MOATS	REIMB EXP - RECORDER	163.75
ANDRY HAYDUK	RENT ASSIST - GA	550.00
ANITA FARWELL	ELECTION WORK - AUDITOR	12.00
ANNETT PETERSON	ELECTION WORK - AUDITOR	12.00
ANTHONY LEICK	REIMB EXP - SHERIFF	396.36
ANTHONY PORTERO PAFF	ELECTION WORK - AUDITOR	286.00
ARAMARK UNIFORM & CAREER APAREL GROUP INC	SUPPLIES - JAIL	55,035.99
ARDETH CHRISTIE	ELECTION WORK - AUDITOR	409.00
ARLENE BERNEMANN	ELECTION WORK - AUDITOR	224.00
ARLENE EKLUND TANNAHILL	ELECTION WORK - AUDITOR	274.00
ASP ENTERPRISES INC	ROADS/SUPPLIES	522.23
ASSOCIATES FOR PSYCHIATRIC SERVICES PC	MED SVC - SWIA MHDS REGION	400.00
AT&T MOBILITY LLC	MO BILL - EMA	379.49
ATLANTECH RESELLERS INC	SUPPLIES - IT	153.82
AUSTIN KAY	MEETING - PLANNING	35.00
AUTUMN SMELSER	ELECTION WORK - AUDITOR	547.75
AVTECH SOFTWARE INC	EQUIP - IT	8,011.22
BARBARA CHENEY	REIMB EXP - SWIA MHDS REGION	138.75
BARBARA HARRISON	ELECTION WORK - AUDITOR	236.00
BARBARA HILTON	ELECTION WORK - AUDITOR	224.00
BARBARA PAULSON	ELECTION WORK - AUDITOR	24.00
BARBARA WHITE	ELECTION WORK - AUDITOR	212.00
BAUER BUILT INC	PROF SVC - SHERIFF	599.00
BETHANY WATSON	ELECTION WORK - AUDITOR	274.00
BETSY HENRY	ELECTION WORK - AUDITOR	274.00
BEVERLY FISCHER	ELECTION WORK - AUDITOR	200.00
BEVERLY FLANAGAN	ELECTION WORK - AUDITOR	289.44
BEVERLY THOMPSON	ELECTION WORK - AUDITOR	274.00
BEVERLY WEIS	ELECTION WORK - AUDITOR	224.00
BIG RED CONCRETE PUMPING INC	ROADS/MATERIALS	963.38
BILLS WATER CONDITIONING INC	MO BILL - JAIL	574.45
BISHOP BUSINESS EQUIPMENT COMPANY	SUPPLIES - AUDITOR	1,168.43
BLACK HILLS UTILITY HOLDING	MO BILL - JAIL	8,169.52
BLUFFS ADVERTISING LLC	PROF SVC - BOARD	1,500.00
BOARD OF REGENTS OF THE UNIVERSITY OF NEBRASKA	TRAINING - SWIA MHDS REGION	50.00
BOBBIE MOORE	ELECTION WORK - AUDITOR	277.04
BOMGAARS SUPPLY INC	SUPPLIES - CONSERVATION	7,469.84
BONITA MOORE	ELECTION WORK - AUDITOR	224.00
BONNIE KARDELL	ELECTION WORK - AUDITOR	317.34
BOO INC	PROF SVC - B&G	1,581.43
BP ENTERPRISES INC	PROF SVC - SHERIFF	611.76
BRADLY OLIVER	REIMB EXP - JAIL	30.00
BRANDON ALLEN	REIMB EXP - SHERIFF	90.41
BRANDON RAMSEY	REIMB EXP - SHERIFF	92.86
BREDA TELEPHONE CORPORATION	MO BILL - COMMUNICATIONS	734.00
BRIAN MILLER	REIMB EXP - SHERIFF	129.04
BRIAN FISCHER	LANDSCAPING - WEST POTT SWCD	2,000.70
BRIAN HANSEN	ELECTION WORK - AUDITOR	60.00
BRIAN MCMILLIN	PROF SVC - IT	5,700.00
BRIGHTLY SOFTWARE INC	PROF SVC - B&G	11,914.90
BRITTNIE MOORE	ELECTION WORK - AUDITOR	274.00
BROADWAY CHRISTIAN CHURCH	PRECINT RENT - AUDITOR	200.00
BROADWAY UNITED METHODIST CHURCH	PRECINT RENT - AUDITOR	400.00
BRUCE MOORE	ELECTION WORK - AUDITOR	277.04
BRUMLEY SUPPLIES LLC	ROADS/SUPPLIES - CENTRAL	10,405.63
BSN SPORTS LLC	EQUIP - NON-DEPARTMENTAL	8,839.34

BUSINESS CLEANING SOLUTIONS INC	MO BILL - CONSERVATION	517.00
C & J INDUSTRIAL SUPPLY INC	ROADS/UTILITIES - UNDERWOOD	126.50
C & P AUTO PARTS INC	SUPPLIES - SHERIFF	284.93
CANDY LEWIS	REIMB EXP - AUDITOR	141.88
CAROL JEAN KOCH	ELECTION WORK - AUDITOR	308.91
CAROL STOTTS	ELECTION WORK - AUDITOR	224.00
CAROL TERRY	ELECTION WORK - AUDITOR	274.00
CAROL WEIS	ELECTION WORK - AUDITOR	224.00
CAROLYN GRIEDER	ELECTION WORK - AUDITOR	236.00
CARRIE KREISER	ELECTION WORK - AUDITOR	236.00
CARROLL COUNTY COUNCIL FOR THE PREVENTION OF CHILD ABUSE CCCPCA	SUPPORT SVC - SWIA MHDS REGION	394.73
CASEY PETERS	ELECTION WORK - AUDITOR	224.00
CASS COUNTY (IA)	MHA - SWIA MHDS REGION	3,380.06
CATHY TICHY	ELECTION WORK - AUDITOR	236.00
CATHY WRAY	ELECTION WORK - AUDITOR	224.00
CDW LLC	SUPPLIES - IT	24,084.56
CECILIA SHULTZ	ELECTION WORK - AUDITOR	212.00
CEN PRO	PROF SVC - SHERIFF	20.00
CENTRAL IOWA JUVENILE DETENTION CENTER	TRANSPORT - SWIA MHDS REGION	1,115.73
CENTRAL IOWA READY MIX	ROADS/MATERIALS	15,960.00
CENTURY LINK COMMUNICATIONS LLC	MO BILL - COMMUNICATIONS	4,602.79
CENTURYLINK INC	MO BILL - IT	4,135.20
CHAMPLIN TIRE RECYCLING INC	PROF SVC - ENV HEALTH	822.85
CHARLES FORD	ELECTION WORK - AUDITOR	224.00
CHASITY KEPHART	REIMB EXP - SWIA MHDS REGION	238.19
CHERRYL MUFFLEY	ELECTION WORK - AUDITOR	224.00
CHERYL ALBRECHT-TAYLOR	ELECTION WORK - AUDITOR	236.00
CHERYL BOROUGHS	ELECTION WORK - AUDITOR	224.00
CHRIS ROCHLEAU	RENT ASSIST - GA	600.00
CHRISTIAN HOME ASSOCIATION	PROF SVC - DHS	839.70
CHRISTIE MERTZ	ELECTION WORK - AUDITOR	224.00
CHRISTINA PECKHAM	RENT ASSIST - VA	975.00
CHRISTINE CIRCO	REIMB EXP - CO ATTORNEY	96.39
CHRISTOPHER ANDREW	REIMB EXP - CONSERVATION	213.99
CHRISTOPHER KELLY	ELECTION WORK - AUDITOR	224.00
CHS INC	FUEL - EMA	737.94
CIMPRESS USA INCORPORATED	SUPPLIES - VA	791.03
CINDY WIESE	ELECTION WORK - AUDITOR	201.96
CINTAS CORPORATION NO 2	ROADS/SUPPLIES	333.44
CIOX HEALTH LLC	RECORDS - CO ATTORNEY	253.23
CITY OF AVOCA	CONTRIBUTION - BOARD	9,175.00
CITY OF AVOCA	ROADS/UTILITIES	73.67
CITY OF CARSON	ROADS/UTILITIES	82.05
CITY OF CARTER LAKE PUBLIC LIBRARY	CONTRIBUTION - BOARD	1,246.00
CITY OF COUNCIL BLUFFS	CONTRIBUTION - BOARD	155,664.34
CITY OF HANCOCK	MO BILL - CONSERVATION	390.31
CITY OF LOGAN	RENT - WIC	100.00
CITY OF OAKLAND	MO BILL - ENV HEALTH	25.00
CITY OF ONAWA	RENT - WIC	120.00
CITY OF WALNUT	CONTRIBUTION - BOARD	4,143.00
CITYLIGHT COUNCIL BLUFFS CHURCH OF THE CHRISTIAN & MISSIONARY ALLICANCE	PRECINCT RENT - AUDITOR	200.00
CLAUDE WHITE	RELOCATION - VA	2,500.00
COIN USA INC	PROF SVC - HR/BOARD	6,425.00
COLLEEN MILLIGAN	ELECTION WORK - AUDITOR	236.00
COMMERCIAL FARM INDUSTRIAL TIRE SERVICE INC	PROF SVC - CONSERVATION	378.00
COMMUNITY OF CHRIST PRARIE BLUFFS	PRECINCT RENT - AUDITOR	200.00
CONCERNED INC	SUPPORT SVC - SWIA MHDS REGION	572.62
CONNECTIONS AREA AGENCY ON AGING INC	PROF SVC - PUBLIC HEALTH	7,500.00
CONNER PSYCHOLOGICAL SERVICES PC	MED SVC - JAIL	1,540.00
CONNIE GILLILAND	ELECTION WORK - AUDITOR	224.00
CONNIE HALL	ELECTION WORK - AUDITOR	12.00
CONTRACT PHARMACY SERVICES INC	SUPPLIES - JAIL	3,991.35
CONVERGEONE INC	PROF SVC - IT	3,149.55
CORNHUSKER INTERNATIONAL TRUCKS INC	ROADS/PARTS	1,778.38
CORPORATE TRANSLATION SERVICES INC	PROF SVC - WIC	96.24
CORPUS CHRISTI CATHOLIC CHURCH	PRECINCT RENT - AUDITOR	400.00
CORRINE YOUNGBLOOD	ELECTION WORK - AUDITOR	200.00
COTT SYSTEMS INC	PROF SVC - AUDITOR	150.00
COUNCIL BLUFFS CHAMBER OF COMMERCE	REGISTRATION - BOARD	55.00
COUNCIL BLUFFS WATER WORKS	MO BILL - JAIL	5,309.37
COUNCIL BLUFFS WINSUPPLY INC	SUPPLIES - CONSERVATION	27.72
COUNTRY CARE CENTER CORPORATION	RCF - SWIA MHDS REGION	63,127.40
COX COMMUNICATIONS INC	MO BILL - VARIOUS	4,000.96
CRANE SALES AND SERVICE LLC	ROADS/DEPOSIT	20,844.30
CREDIT BUREAU OF COUNCIL BLUFFS INC	PROF SVC - JAIL	50.00
CREEKSIDE CHURCH	PRECINCT RENT - AUDITOR	200.00
CROWL PROPERTY MANAGEMENT INC	RENT ASSIST - GA	1,500.00
CRYSTAL CLEAR WATER INC	MO BILL - RECORDER	42.75
CSI SSP INC	PROF SVC - B&G	163.76
CURTIS DANA HALL	ELECTION WORK - AUDITOR	12.00
CURTIS STENDER	ELECTION WORK - AUDITOR	110.53
CYNTHIA HUTCHESON	ELECTION WORK - AUDITOR	236.00
CYNTHIA LAINSON	ELECTION WORK - AUDITOR	224.00
CYNTHIA PETERSON	ELECTION WORK - AUDITOR	200.00
D R ANDERSON CONSTRUCTORS CO	PROF SVC - SHERIFF	34,128.86
DALE SHARP	ELECTION WORK - AUDITOR	112.50
DANELLE BRUCE	REIMB EXP - SWIA MHDS REGION	382.50
DANIEL TEMEYER	REIMB EXP - SHERIFF	583.62
DARLA A FENT	ELECTION WORK - AUDITOR	200.00
DARLA LOBENDO	ELECTION WORK - AUDITOR	224.00
DARLENE HOLDING	ELECTION WORK - AUDITOR	12.00
DAVE LYON TOWING & REPAIR LLC	ROADS/SERVICE - 390	450.00
DAVES PLACE LLC	MED SVC - SWIA MHDS REGION	9,175.00
DAVID MCCAIN	ELECTION WORK - AUDITOR	327.39
DAVID PUMPHREY	ELECTION WORK - AUDITOR	44.98
DAVID W COBERLY SR	PROF SVC - SHERIFF	356.00

DAWN CONRAD	ELECTION WORK - AUDITOR	270.97
DEANNA SYSEL	ELECTION WORK - AUDITOR	12.00
DEBBIE SCHULER	REIMB EXP - SWIA MHDS REGION	147.94
DEBI REDMON	REIMB EXP - SWIA MHDS REGION	208.75
DEBORAH BIDDLE	ELECTION WORK - AUDITOR	12.00
DEBORAH MARSHALL	ELECTION WORK - AUDITOR	224.00
DEBRA HOTZE	ELECTION WORK - AUDITOR	259.53
DEBRA SAAR	ELECTION WORK - AUDITOR	120.00
DELL MARKETING LP	LICENSE - IT	1,033.20
DELUTTI INC	EQUIP - CONSERVATION	6,162.23
DENA CROUCH	TRANSCRIPTS - CO ATTORNEY	123.00
DENCO HIGHWAY CONSTRUCTION CORPORATION	ROADS/MATERIALS	6,698.40
DENNIS HORNER	ELECTION WORK - AUDITOR	236.00
DENNIS KEITHLEY	ELECTION WORK - AUDITOR	224.00
DENNIS SUPPLY COMPANY	SUPPLIES - COMMUNICATIONS	6.82
DIAMOND OIL COMPANY	FUEL - CONSERVATION	6,573.86
DIANE CARLON	ELECTION WORK - AUDITOR	224.00
DIANE HIATT	ELECTION WORK - AUDITOR	12.00
DIANE STAMP	ELECTION WORK - AUDITOR	267.21
DIANE STOLZ	ELECTION WORK - AUDITOR	224.00
DIANNE LOWMAN	ELECTION WORK - AUDITOR	236.00
DLR GROUP INC	PROF SVC - NON-DEPARTMENTAL	350.00
DMC FLEET SERVICES	PROF SVC - SHERIFF	895.29
DOLLY GROVE	ELECTION WORK - AUDITOR	224.00
DONALD NIELSON	PUBLICATIONS - BOARD	2,028.42
DONALD NIELSON	PUBLICATIONS - BOARD	2,036.32
DONNA CALLENDER	ELECTION WORK - AUDITOR	12.00
DONNA LAKE	ELECTION WORK - AUDITOR	225.14
DOUGLAS COUNTY (NE)	SVC FEES - BOARD	450.00
DULTMEIER SALES LLC	ROADS/SUPPLIES	76.94
DUSTIN CLAYTON	PRESENTER - CONSERVATION	1,100.00
EBS c/o AMERICAN NATIONAL BANK	EBS RETIREES - JAIL	4,831.33
ECHOSAT INC	ROADS/REPAIR - CARSON	830.65
ECKLES MEMORIAL LIBRARY	CONTRIBUTION - BOARD	6,695.00
ECOLAB INC	SUPPLIES - JAIL	811.28
EDWARDS CHEVROLET CADILLAC INC	PROF SVC - SHERIFF	526.61
EDWARDS MOTORSPORTS LLC	EQUIP - CONSERVATION	6,199.98
EILEEN MATTHEWS	ELECTION WORK - AUDITOR	296.57
ELECTION SYSTEMS & SOFTWARE LLC	SUPPLIES - AUDITOR	738.28
ELECTRONIC CONTRACTING COMPANY	PROF SVC - JAIL	1,481.42
ELLEN GARAFFA	ELECTION WORK - AUDITOR	290.31
EMBRACE IOWA INC	SUPPORT SVC - SWIA MHDS REGION	2,821.50
EMILY GATTO	WELL CLOSURE - EAST POTT SWCD	625.00
EMILY WHITEHOUSE	ELECTION WORK - AUDITOR	269.85
EPIC WEARS INC	SUPPLIES - CONSERVATION	2,340.00
ERIC MOEN	ELECTION WORK - AUDITOR	245.95
ERIC SHEA	REIMB EXP - SHERIFF	451.96
ERIC WINGERT	ELECTION WORK - AUDITOR	98.63
ERICH RACHWITZ	PROF SVC - SHERIFF	354.03
ETHAN BAUMGARTNER	ELECTION WORK - AUDITOR	224.00
EUGENE WRAY III	ELECTION WORK - AUDITOR	274.00
EVELYN HALL IRWIN	ELECTION WORK - AUDITOR	274.00
EVERTEL TECHNOLOGIES LLC	SUBSCRIPTION - EMA	300.00
EVIZZIT LLC	MH SVC - SWIA MHDS REGION	5,013.96
EXECUTIVE SERVICES INC	SUPPLIES - BOARD	65.08
FAMILY EAR NOSE AND THROAT CLINIC PC	RECORDS - CO ATTORNEY	300.00
FARM SERVICE COOPERATIVE	ROADS/FUEL	74,690.41
FARMERS MUTUAL COOPERATIVE TELEPHONE COMPANY	ROADS/UTILITIES	643.96
FASTENAL COMPANY	SUPPLIES - JAIL	924.26
FATHER FLANAGANS BOYS HOME	PROF SVC - SWIA MHDS REGION	38,450.00
FERGUSON US HOLDINGS INC	SUPPLIES - JAIL	1,591.70
FIELD DAY DEVELOPMENT LLC	PROF SVC - NON-DEPARTMENTAL	937.57
FIKES COMMERCIAL HYGIENE LLC	ROADS/UTILITIES - CENTRAL	366.49
FIRESPRING PRINT INC	PROF SVC - WIC	116.87
FIRST WIRELESS INC	SUPPLIES - SHERIFF	650.28
FISHER BUILDING SERVICES INC	PROF SVC - B&G	330.00
FLORENCE CRITTENTON HOME OF SIOUX CITY	PROF SVC - DHS	2,285.85
FMTC SWT INC	ROADS/UTILITIES	122.45
FOCUS FAMILY OPTIONS & COMMUNITY SUPPORTS INC	SUPPORT SVC - SWIA MHDS REGION	1,128.24
FORRISTCRETE CUSTOM CONCRETE LLC	PROF SVC - CONSERVATION	12,780.00
FOX CREEK FUNDRAISING LLC	PROF SVC - PUBLIC HEALTH	5,910.00
FRANCES PETERSEN	ELECTION WORK - AUDITOR	268.23
FRANCOISE MATHIS	ELECTION WORK - AUDITOR	224.00
FRANK DUNN	ROADS/MATERIALS	800.00
FRONTIER COMMUNICATIONS OF IOWA LLC	MO BILL - COMMUNICATIONS	387.16
GAIL BROW	ELECTION WORK - AUDITOR	242.50
GAIL PETERS	ELECTION WORK - AUDITOR	224.00
GAWLEY TIRE & REPAIR INC	ROADS/TIRES	3,842.80
GENIE SERVICES	PROF SVC - CONSERVATION	455.00
GEORGE SMITH	ELECTION WORK - AUDITOR	224.00
GEORGIANN ANDERSEN	ELECTION WORK - AUDITOR	298.93
GERALYNNE COHRS	ELECTION WORK - AUDITOR	239.75
GETHSEMANE PRESBYTERIAN CHURCH	PRECINCT RENT - AUDITOR	400.00
GINA HUEBNER	REIMB EXP - SWIA MHDS REGION	288.98
GLAXOSMITHKLINE HOLDINGS (AMERICAS) INC	SUPPLIES - PUBLIC HEALTH	8,892.00
GLENN GROVE	ELECTION WORK - AUDITOR	274.00
GOLDEN HILLS RESOURCE CONSERVATION AND DEVELOPMENT	PROF SVC - BOARD	4,608.74
GOVCONNECTION INC	PROF SVC - IT	21,039.85
GRACE UNITED METHODIST CHURCH	RENT - WIC	40.00
GREAT AMERICA FINANCIAL SERVICES CORPORATION	PROF SVC - SWIA MHDS REGION	129.78
GREAT PLAINS COMMUNICATIONS HOLDINGS LLC	PROF SVC - IT	3,855.34
GREAT PLAINS PEST SERVICES INC	PROF SVC - B&G	345.00
GREG MATHIS	ELECTION WORK - AUDITOR	224.00
GREGORY L DAVIS	MED SVC - JAIL	1,893.33
GRISWOLD COOPERATIVE TELEPHONE CO	ROADS/UTILITIES	35.75
GRP & ASSOCIATES INC	PROF SVC - JAIL	335.00

GUARDIANS OF NORTHEAST IOWA INC	PROF SVC - SWIA MHDS REGION	750.00
GUYER MACHINE SHOP INC	ROADS/REPAIR	26.52
HAMELE GROUP INC	ROADS/SUPPLIES	3.56
HANEY SHOE STORE INC	ROADS/PPE	186.99
HARRIETT MIDDLETON	ELECTION WORK - AUDITOR	224.00
HARRISON COUNTY (IA)	TRANSPORT - SWIA MHDS REGION	307.51
HARRISON COUNTY HOMEMAKERS	SUPPORT SVC - SWIA MHDS REGION	1,280.97
HARRISON COUNTY RURAL ELECTRIC COOPERATIVE	MO BILL - COMMUNICATIONS	471.77
HAWKEYE TRUCK EQUIPMENT CO INC	ROADS/PARTS	1,759.57
HEARTLAND BACKFLOW INC	ROADS/SUPPLIES	1,500.30
HEARTLAND FAMILY SERVICE	ACT - SWIA MHDS REGION	20,680.17
HEARTLAND HARNESS	ROADS/SUPPLIES	49.03
HEARTLAND PHOTOS & DESIGN INC	PROF SVC - CONSERVATION	967.20
HEARTLAND TIRES AND TREADS INC	ROADS/TIRES - 434	1,239.49
HEATHER SHAFER	ELECTION WORK - AUDITOR	23.87
HENRY SCHEIN INC	SUPPLIES - JAIL	1,037.09
HERVETTA RONNFELDT	ELECTION WORK - AUDITOR	261.01
HGM ASSOCIATES INC	ROADS/SERVICE	20,596.53
HOME DEPOT USA INC	SUPPLIES - CONSERVATION	234.48
HOTSY EQUIPMENT CO	ROADS/SERVICE - HONEY CRK	1,105.00
HUGO SEGUNDO	ELECTION WORK - AUDITOR	224.00
HUMAN SERVICES ADVISORY COUNCIL INC	REGISTRATION - PUBLIC HEALTH	130.00
IGLESIA DEL NAZARENO BENDICION	PRECINT RENT - AUDITOR	200.00
INDOFF INCORPORATED	PROF SVC - RECORDER	2,971.42
INFOSAFE SHREDDING LLC	PROF SVC - DHS	788.00
INTERSTATE POWERSYSTEMS INC	ROADS/REPAIR - 373	8,919.59
IOWA ASSOCIATION OF NATURALIST	SUPPLIES - CONSERVATION	60.00
IOWA COMMUNITIES ASSURANCE POOL	ROADS/CLAIM	2,101.06
IOWA DEPARTMENT OF TRANSPORTATION	ROADS/REGISTRATION	1,454.50
IOWA ENVIRONMENTAL HEALTH ASSOCIATION (IEHA)	MEMBERSHIP - ENV HEALTH	80.00
IOWA LAW ENFORCEMENT ACADEMY	TRAINING - JAIL	1,150.00
IOWA MUNICIPALITIES WORKERS COMPENSATION ASSOCIATION	WORK COMP - BOARD	29,523.00
IOWA STATE ASSOCIATION OF COUNTIES	ROADS/REGISTRATION	300.00
IOWA WASTE SERVICES HOLDING INC	MO BILL - JAIL	2,838.95
IOWA WASTE SERVICES HOLDINGS INC	PROF SVC - ENV HEALTH	3,470.33
IOWA WESTERN COMMUNITY COLLEGE	TRAINING - EMA	80.00
IVAN DELGADO	MED SVC - JAIL	4,645.88
J P COOKE COMPANY	SUPPLIES - B&G	31.50
JACKSON SERVICES INC	PROF SVC - B&G	411.07
JACOB BRANDON	ELECTION WORK - AUDITOR	257.20
JACQUELINE MASKER	ELECTION WORK - AUDITOR	239.50
JACQUELINE NICHOLAS	ELECTION WORK - AUDITOR	224.00
JAMCO ABATEMENT SERVICES INC	PROF SVC - NON-DEPARTMENTAL	1,500.00
JAMES KOHL	RENT ASSIST - GA	475.00
JAMES MAJOREK	ELECTION WORK - AUDITOR	254.54
JAMES ROSS	ELECTION WORK - AUDITOR	238.20
JANA CLARK	PROF SVC - CONSERVATION	2,272.25
JANELLE F FILE	ELECTION WORK - AUDITOR	224.00
JANIS REGIER	ELECTION WORK - AUDITOR	236.00
JDW MIDWEST LLC	PROF SVC - PLANNING	600.00
JEANNE TRACHTA	ELECTION WORK - AUDITOR	224.00
JEFFERSON FARM & AUTO LLC	PROF SVC - CONSERVATION	161.87
JEFFREY W ANDERSEN	ROADS/TIRES	2,994.07
JEFFS WASH & GLO	PROF SVC - SHERIFF	315.00
JENNIE EDMUNDSON HOSPITAL	MED SVC - SWIA MHDS REGION	8,640.00
JENNIFER M MINCHEW	REIMB EXP - PUBLIC HEALTH	55.00
JERRY HIATT	ELECTION WORK - AUDITOR	12.00
JIM DOTY	REIMB EXP - SHERIFF	47.05
JIM HAWK TRUCK TRAILERS INC	PROF SVC - NON-DEPARTMENTAL	1,674.55
JO ANN HOLM	ELECTION WORK - AUDITOR	23.12
JOANN SORENSEN	ELECTION WORK - AUDITOR	224.00
JOHANNE LEWIS	ELECTION WORK - AUDITOR	236.00
JOHN AMDOR III	ELECTION WORK - AUDITOR	274.00
JOHN DEERE FINANCIAL	ROADS/PARTS	2,009.03
JOHN DESANTIAGO JR	ELECTION WORK - AUDITOR	224.00
JOHN DOMINGUEZ	ELECTION WORK - AUDITOR	105.00
JOHN DRAKE	ELECTION WORK - AUDITOR	224.00
JOHN HAAS	ELECTION WORK - AUDITOR	236.00
JOHN REDDISH	ELECTION WORK - AUDITOR	224.00
JON THOMAS	MED SVC - JAIL	6,473.55
JONATHAN HILZ	REIMB EXP - SHERIFF	60.82
JONATHAN POORE	REIMB EXP - JAIL	183.35
JONES AUTOMOTIVE INC	PROF SVC - SHERIFF	20,143.96
JONI PAEZ	ELECTION WORK - AUDITOR	224.00
JOSEPH LEE FAUST	PROF SVC - ENV HEALTH	340.00
JOSEPH NICHOLAS	ELECTION WORK - AUDITOR	224.00
JOSHUA HARKER	REIMB EXP - SHERIFF	288.89
JOY FAZ-HEIMBAUGH	ELECTION WORK - AUDITOR	12.00
JP BORING CO	PROF SVC - ENV HEALTH	16,778.10
JP CONCRETE DESIGNS LLC	PROF SVC - CONSERVATION	2,050.00
JP LUMBER INC	ROADS/SUPPLIES	230.42
JUDITH RILEY	ELECTION WORK - AUDITOR	36.49
JULIA CROWDER	ELECTION WORK - AUDITOR	224.00
JUSTIN SCHULTZ	REIMB EXP - BOARD	165.50
KANDACE MEEKER	ELECTION WORK - AUDITOR	66.51
KAREN MAGNUSON	ELECTION WORK - AUDITOR	285.46
KAREN RODRIGUEZ	ELECTION WORK - AUDITOR	200.00
KAREN WEIS	ELECTION WORK - AUDITOR	224.00
KARL CHEVROLET INC	VEHICLE - SHERIFF	76,067.00
KATHLEEN FOX	ELECTION WORK - AUDITOR	224.00
KATHY LARSON	ELECTION WORK - AUDITOR	253.08
KAY S EVANS	ELECTION WORK - AUDITOR	241.26
KELLA SALES	ELECTION WORK - AUDITOR	24.00
KELLY CHRISTIE	ELECTION WORK - AUDITOR	274.00
KELLY GREER	REIMB EXP - IT	35.81
KENNETH MCGLADE	ELECTION WORK - AUDITOR	236.00

KENNETH SEWING	ELECTION WORK - AUDITOR	12.00
KEVIN CALABRO	ELECTION WORK - AUDITOR	80.65
KIMBERLEY SCHNITKER	ELECTION WORK - AUDITOR	250.00
KIMBERLY MURRAY	ELECTION WORK - AUDITOR	12.00
KIMBERLY SKILLETT	ELECTION WORK - AUDITOR	290.18
KRISTA SMITH	ELECTION WORK - AUDITOR	274.00
KRISTI MURRAY	ELECTION WORK - AUDITOR	118.00
KRISTIE BEHRENS	ELECTION WORK - AUDITOR	236.00
KRISTINA M RICHEY	REIMB EXP - SWIA MHDS REGION	818.75
KRONOS SAASHR INC	PROF SVC - IT	1,055.40
KURT FERGUSON	REIMB EXP - SHERIFF	467.97
L & M PHARMACY CARE LLC	MED SVC - SWIA MHDS REGION	26.00
LAJEAN WEHRING	ELECTION WORK - AUDITOR	30.72
LANGUAGE LINE SERVICE INC	MO BILL - JAIL	349.44
LARRY MOORE	ELECTION WORK - AUDITOR	200.00
LARSEN SUPPLY CO	SUPPLIES - CONSERVATION	206.20
LAURA BABB	TRANSPORT - SWIA MHDS REGION	758.95
LAURI HALL	ELECTION WORK - AUDITOR	12.00
LAWRENCE FENT	ELECTION WORK - AUDITOR	250.00
LAWSON PRODUCTS INC	ROADS/SUPPLIES	252.20
LEA A VOSS	REIMB EXP - TREASURER	7.84
LEACH CAMPER SALES INC	PROF SVC - PUBLIC HEALTH	1,650.00
LEE BHM CORP	PUBLICATIONS - BOARD	5,070.57
LEONARD WRIGHT	ELECTION WORK - AUDITOR	24.00
LEROY HANSEN	MEETING - BOARD	20.00
LINDA HOFFLANDER	ELECTION WORK - AUDITOR	24.00
LINDA RING	ELECTION WORK - AUDITOR	12.00
LINDA SPENCER	ELECTION WORK - AUDITOR	224.00
LINDA SPORVEN	ELECTION WORK - AUDITOR	224.00
LOIS HANUSA	ELECTION WORK - AUDITOR	224.00
LONNIE HENRY	ELECTION WORK - AUDITOR	224.00
LORI JOHANNES	ELECTION WORK - AUDITOR	12.00
LORI STOPAK	ELECTION WORK - AUDITOR	233.67
LUANN SMITH	ELECTION WORK - AUDITOR	251.28
LUCIA KINNISON	ELECTION WORK - AUDITOR	253.64
LUELLEN TUREK	ELECTION WORK - AUDITOR	224.00
LUKAS PETERSEN	ELECTION WORK - AUDITOR	80.59
LYMAN RICHEY CORPORATION	ROADS/MATERIALS	1,590.00
LYNN GROBE	REIMB EXP - BOARD	305.00
LYNN LEADERS	MEETING - PLANNING	191.01
MAIL SERVICES LLC	PROF SVC - TREASURER	3,066.77
MAJOR WAY FENCING LLC	PROF SVC - CONSERVATION	13,942.80
MAKENZIE AYERS	REIMB EXP - COMMUNICATIONS	66.13
MARC FREEMAN	REIMB EXP - SHERIFF	100.30
MARC JOHNSON JR	ELECTION WORK - AUDITOR	200.00
MARCIA BUCKINGHAM	ELECTION WORK - AUDITOR	309.47
MARGARET KALIN	ELECTION WORK - AUDITOR	236.00
MARGARET PIERCE	ELECTION WORK - AUDITOR	296.20
MARIA SIECK	REIMB EXP - PUBLIC HEALTH	106.25
MARIA TORRES	REIMB EXP - PUBLIC HEALTH	45.00
MARILYN KENNEDY	REIMB EXP - AUDITOR	92.81
MARILYN KNAUSS	ELECTION WORK - AUDITOR	224.00
MARILYN WOLFF	ELECTION WORK - AUDITOR	260.89
MARILYN WYMORE	ELECTION WORK - AUDITOR	274.00
MARK LANDER	ELECTION WORK - AUDITOR	200.00
MARK MERTES	ROADS/PARTS	74.00
MARLA MINEAR	ELECTION WORK - AUDITOR	238.82
MARNE & ELK HORN TELEPHONE COMPANY	MO BILL - COMMUNICATIONS	578.82
MARTI NERENSTONE	ELECTION WORK - AUDITOR	200.66
MARVCO ENTERPRISES INC	EQUIP - COMMUNICATIONS	754.09
MARVEL CARTER	ELECTION WORK - AUDITOR	12.00
MARY BURMEISTER	ELECTION WORK - AUDITOR	224.00
MARY ERVIN	ELECTION WORK - AUDITOR	224.00
MARY GREELEY MEDICAL CENTER	SUB SVC - SWIA MHDS REGION	1,200.00
MARY KRAMER	ELECTION WORK - AUDITOR	30.51
MARY PEARSON	ELECTION WORK - AUDITOR	267.46
MARY PERKINS	ELECTION WORK - AUDITOR	153.75
MATHESON TRI GAS INC	SUPPLIES - CONSERVATION	37.82
MATTHEW REEVES	REIMB EXP - IT	21.25
MATTHEW ROWE	ELECTION WORK - AUDITOR	200.00
MAXINE GOTTO	ELECTION WORK - AUDITOR	224.00
MCCARTHY TRENCHING LLC	ROADS/REPAIR	2,041.42
MCCLURE ENGINEERING	ROADS/SERVICE	16,845.13
MCGREER HOLDINGS INC	PROF SVC - B&G	180.00
MCKESSON MEDICAL-SURGICAL GOVERNMENT SOLUTIONS LLC	SUPPLIES - PUBLIC HEALTH	1,175.97
MCMULLEN FORD INC	PROF SVC - SHERIFF	1,041.71
MEDICAL PRIORITY CONSULTANTS INC	PROF SVC - COMMUNICATIONS	9,965.00
MEDTOX LABORATORIES INC	MED SVC - PUBLIC HEALTH	20.00
MELINDA HIVELY	ELECTION WORK - AUDITOR	269.34
MELVIN LARSEN	ROADS/MOWING	40.00
MENARDS INC	SUPPLIES - CONSERVATION	2,537.99
MERCHANTS BONDING COMPANY (MUTUAL)	BONDING - AUDITOR	400.00
MERLYN SMITH	ELECTION WORK - AUDITOR	224.00
METAL CULVERTS INC	ROADS/MATERIALS	9,218.00
MICHAEL ANTHONY DENNING	RENT ASSIST - GA	400.00
MICHAEL BATENHORST	ELECTION WORK - AUDITOR	224.00
MICHAEL BECKMAN	ELECTION WORK - AUDITOR	90.01
MICHAEL BROOKS	ELECTION WORK - AUDITOR	224.00
MICHAEL CRAWFORD	ELECTION WORK - AUDITOR	224.00
MICHAEL GENEREUX	MEETING - PLANNING	45.63
MICHAEL GRONSTAL	ELECTION WORK - AUDITOR	45.00
MICHAEL M SALES	PROF SVC - SHERIFF	285.00
MICHAELA KENNEDY	ELECTION WORK - AUDITOR	225.55
MICHEAL FLOOD	ELECTION WORK - AUDITOR	200.00
MICHELLE CIESLUK	RENT ASSIST - GA	600.00
MICHELLE WICKERSHAM	ELECTION WORK - AUDITOR	236.00

MID AMERICA DRILLING CORPORATION	PROF SVC - ENV HEALTH	100.00
MIDAMERICAN ENERGY COMPANY	MO BILL - JAIL	33,245.95
MIDLANDS HUMANE SOCIETY	PROF SVC - ANIMAL CONTROL	100.00
MIDWEST GLASS & GLAZING INC	PROF SVC - B&G	886.59
MIDWEST MEDICAL AND SAFETY INC	SUPPLIES - SHERIFF	107.05
MIDWEST SPECIAL SERVICES INC	TRANSPORT - JAIL	2,975.97
MILLER ORTHOPAEDIC AFFILIATES PC	MED SVC - JAIL	2,100.00
MINDEN UNITED CHURCH OF CHRIST	PRECINT RENT - AUDITOR	200.00
MINNIE WALSH	ELECTION WORK - AUDITOR	542.08
MMB LLC	SUPPLIES - CONSERVATION	229.99
MMB LLC	ROADS/PARTS	1,585.45
MOLLY BROWN	REIMB EXP - SWIA MHDS REGION	283.07
MONTGOMERY COUNTY (IA)	TRANSPORT - SWIA MHDS REGION	380.00
MORPHO USA INC	PROF SVC - IT	5,726.00
MOSAIC	SUPPORT SVC - SWIA MHDS REGION	5,176.04
MOTOROLA SOLUTIONS INC	PROF SVC - SHERIFF	2,073.50
MOUNTAIN GROOMING EQUIPMENT LLC	PROF SVC - CONSERVATION	1,878.00
MUNICIPAL HOUSING AGENCY	RENT ASSIST - GA	150.00
MY FATHERS HOUSE MINISTRIES	PRECINT RENT - AUDITOR	200.00
MYRA NIXON	REIMB EXP - RECORDER	107.88
NAN SAMS	ELECTION WORK - AUDITOR	267.34
NANCY JANE COZIAHR	ELECTION WORK - AUDITOR	224.00
NANCY JANE WHITE	ELECTION WORK - AUDITOR	224.00
NANCY RANEY	ELECTION WORK - AUDITOR	254.94
NANCY RODENBURG	ELECTION WORK - AUDITOR	12.00
NANCY STESSMAN	ELECTION WORK - AUDITOR	200.00
NATHAN SHERRILL	WELL CLOSURE - ENV HEALTH	500.00
NATIONAL ASSOCIATION OF COUNTIES	MEMBERSHIP - BOARD	1,863.00
NATIONAL ASSOCIATION OF COUNTY AND CITY HEALTH OFFICIALS (NACCHO)	MEMBERSHIP - PUBLIC HEALTH	560.00
NATIONAL ASSOCIATION OF COUNTY PARK AND RECREATION OFFICIALS	MEMBERSHIP - CONSERVATION	90.00
NCH CORPORATION	PROF SVC - B&G	1,374.87
NEBRASKA IOWA INDUSTRIAL FASTENERS CORP	SUPPLIES - CONSERVATION	192.09
NEBRASKA MACHINERY COMPANY	ROADS/PARTS - 208	5,364.60
NEOLA TIRE INC	SUPPLIES - CONSERVATION	35.00
NEW CENTURY PHYSICIANS OF IOWA PC	MED SVC - JAIL	649.60
NEW HORIZON PRESBYTERIAN CHURCH	PRECINT RENT - AUDITOR	800.00
NEW LIFE ASSEMBLY OF COUNCIL BLUFFS IA INC	PRECINT RENT - AUDITOR	200.00
NEW MASONIC TEMPLE ASSOCIATION	PRECINT RENT - AUDITOR	200.00
NEWMAN SIGNS INC	ROADS/MATERIALS	1,821.45
NINA HOANG	REIMB EXP - JAIL	758.00
NISHNA PRODUCTIONS INC	VOC/DAY HAB/SUP SVC - SWIA MHDS REGION	22,825.69
NISHNABOTNA VALLEY RURAL ELECTRIC COOPERATIVE	ROADS/UTILITIES	2,046.84
NORTHWEST CHRISTIAN CHURCH INC	PRECINT RENT - AUDITOR	200.00
NORTHWEST IOWA YOUTH EMERGENCY SERVICES CENTER	TRANSPORT - SWIA MHDS REGION	424.75
OMAHA COMPOUND COMPANY	SUPPLIES - B&G	1,061.82
OMAHA PUBLIC POWER DISTRICT	UTILITY ASSIST - GA	85.00
OMAHA SLINGS INC	ROADS/SUPPLIES	541.21
OMAHA TRUCK CENTER COMPANY INC	ROADS/PARTS	14,305.94
OMNI CENTRE LLC	RENT - WIC	1,983.00
OTIS ELEVATOR COMPANY	PROF SVC - B&G	900.00
OUTDOOR POWER GROUP INC	SUPPLIES - CONSERVATION	206.35
PAGE COUNTY (IA)	TRANSPORT - SWIA MHDS REGION	598.42
PARALLEL TECHNOLOGIES INC	PROF SVC - B&G	169.54
PARKWILD HEIGHTS LLC	RENT ASSIST - GA	191.00
PARTNERSHIP FOR PROGRESS INC	SUPPORT SVC - SWIA MHDS REGION	4,517.54
PATRICIA HILLER	ELECTION WORK - AUDITOR	224.00
PATRICIA LUKE	ELECTION WORK - AUDITOR	236.00
PATRICIA MCGINN	ELECTION WORK - AUDITOR	224.00
PATRICIA SUE SETTLES	ELECTION WORK - AUDITOR	251.44
PATRICIA WELLS	ELECTION WORK - AUDITOR	224.00
PATRICK RIGG	RENT ASSIST - GA	1,200.00
PATSY COLEMAN	ELECTION WORK - AUDITOR	224.00
PATTI FORD	ELECTION WORK - AUDITOR	274.00
PAUL JUMPER-OSTERHOLT	ELECTION WORK - AUDITOR	224.00
PAUL KOCH	ELECTION WORK - AUDITOR	308.91
PAULETTE BRANDT	ELECTION WORK - AUDITOR	274.00
PEACE CHURCH OF THE BRETHREN	PRECINT RENT - AUDITOR	200.00
PEGGY JARRELL	ELECTION WORK - AUDITOR	236.00
PEOPLESERVICE INC	UTILITY ASSIST - GA	80.40
PERRY MICHAEL WHYE	ELECTION WORK - AUDITOR	236.00
PHOENIX SUPPLY LLC	SUPPLIES - JAIL	1,792.00
POPCO INC	MO BILL - PLANNING	72.25
POTTAWATTAMIE COUNTY BOARD OF SUPERVISORS	WORK COMP - SWIA MHDS REGION	2,514.64
POTTAWATTAMIE COUNTY	HOTEL/MOTEL TAX - CONSERVATION	327.86
POTTAWATTAMIE COUNTY AUDITOR	QTRLY BILLING - SWIA MHDS REGION	530,568.37
POTTAWATTAMIE COUNTY CLERK OF COURT	COURT COST - CO ATTORNEY	285.00
POTTAWATTAMIE COUNTY DEVELOPMENT CORPORATION	PROF SVC - PUBLIC HEALTH	50.00
POTTAWATTAMIE COUNTY EMERGENCY MGT AGENCY	911 CONTRIBUTION - BOARD	2,192,855.00
POTTAWATTAMIE COUNTY IT DEPARTMENT	REIMB LICENSES - WIC	168.97
POTTAWATTAMIE COUNTY JAIL	PRESCRIPTIONS - SWIA MHDS REGION	3,783.72
POTTAWATTAMIE COUNTY SHERIFF	TRANSPORT - BOARD	13,280.29
POTTAWATTAMIE COUNTY TREASURER	PROF SVC - TREASURER	327.63
PRIME COMMUNICATIONS INC	PROF SVC - COMMUNICATIONS	202.50
QUADIENT INC	POSTAGE - VARIOUS	11,356.30
QUADIENT LEASING USA INC	PROF SVC - BOARD	1,776.51
R & S WASTE DISPOSAL LLC	ROADS/UTILITIES	1,368.15
RADIOLOGY CONSULTANTS PC	MED SVC - JAIL	293.30
RAFAEL RODRIGUEZ	ELECTION WORK - AUDITOR	51.54
RANDAL CRUM	ELECTION WORK - AUDITOR	267.37
RANDALL DERRIG	ELECTION WORK - AUDITOR	240.62
RANDY LEE	SUPPLIES - SHERIFF	447.50
RANDY PRICE	PROF SVC - CONSERVATION	724.93
RAY MARTIN COMPANY OF OMAHA	PROF SVC - NON-DEPARTMENTAL	143,574.50
RAY MEHAFFY	REIMB EXP - CONSERVATION	678.23
REBECCA KING	ELECTION WORK - AUDITOR	224.00
RED OAK WELDING SUPPLIES	ROADS/SUPPLIES	275.25

REDWOOD TOXICOLOGY LABORATORY INC	SUPPLIES - JAIL	30.35
REGINA MYRES	ELECTION WORK - AUDITOR	224.00
REGIONAL WATER INC	MO BILL - CONSERVATION	1,243.45
REIMER LOHMAN & REITZ	LEGAL REP - SWIA MHDS REGION	142.80
REM DEVELOPMENTAL SERVICES INC	RENT - SWIA MHDS REGION	407.06
REPORTING SERVICES LLC	TRANSCRIPTS - CO ATTORNEY	775.00
RESOURCE RENTAL CENTER INC	SUPPLIES - B&G	12.10
RHONDA HURST	ELECTION WORK - AUDITOR	293.79
RHONDA MCKENZIE	ELECTION WORK - AUDITOR	294.93
RHONDA RYAN	ELECTION WORK - AUDITOR	326.83
RICHARD BLETH	ELECTION WORK - AUDITOR	237.02
RICHARD C ROSAS	ROADS/REPAIR	593.00
RICHARD E JULER	SUPPLIES - JAIL	147.25
RICHARD JOHNSON	ELECTION WORK - AUDITOR	232.74
RICHARD TRIMMELL	ELECTION WORK - AUDITOR	224.00
RICK FINK	ELECTION WORK - AUDITOR	123.86
RITA HEINEN	ELECTION WORK - AUDITOR	43.81
RLKM INC	PROF SVC - SHERIFF	90.00
ROBERT A RIDNOUR	ELECTION WORK - AUDITOR	199.80
ROBERT BOETTCHER	ELECTION WORK - AUDITOR	224.00
ROBERT L WATSON	RENT ASSIST - GA	800.00
ROBERT MORGAN	ELECTION WORK - AUDITOR	224.00
ROGER HANSEN	ELECTION WORK - AUDITOR	236.00
ROGER SCHNITKER	ELECTION WORK - AUDITOR	212.00
RON WILLIAMSON	RENT ASSIST - GA	385.00
RONALD JAMES CISAR	PRESENTER - CONSERVATION	1,100.00
RONALD LAINSON	PROF SVC - CONSERVATION	663.00
RONALD LARSEN	ELECTION WORK - AUDITOR	200.00
RONDA NEWMAN	ELECTION WORK - AUDITOR	224.00
ROXANNE HESTER	ELECTION WORK - AUDITOR	437.15
RUTH OLSON	ELECTION WORK - AUDITOR	12.00
S & L SANITATION ENTERPRISES INC	MO BILL - CONSERVATION	322.00
SAFETY KLEEN SYSTEMS INC	ROADS/SUPPLIES	347.55
SALEM UNITED METHODIST CHURCH	PRECINT RENT - AUDITOR	200.00
SALLY DEA	ELECTION WORK - AUDITOR	300.41
SAM ASHER COMPUTING SERVICES INC	MO BILL - IT	301.38
SANDAU BROTHERS SIGN COMPANY INC	PROF SVC - PUBLIC HEALTH	5,100.00
SANDRA CADDELL	ELECTION WORK - AUDITOR	239.07
SANDRA HOUGH	ELECTION WORK - AUDITOR	234.29
SAPP BROS INC	FUEL - SHERIFF	11,451.33
SAUNDRA MATTHEWS	ELECTION WORK - AUDITOR	284.98
SCHILDBERG CONSTRUCTION COMPANY INC	ROADS/ROCK	207,291.91
SCHROER & ASSOCIATES PC	PROF SVC - JAIL	630.00
SCOT ALBERTSON	ELECTION WORK - AUDITOR	200.00
SCOTT BELT	REIMB EXP - BOARD	79.38
SCOTT PETERS	ELECTION WORK - AUDITOR	236.00
SHARLETTA BOULWARE	ELECTION WORK - AUDITOR	224.00
SHARON HOFFMAN	ELECTION WORK - AUDITOR	238.26
SHELIA BENTLEY	ELECTION WORK - AUDITOR	255.19
SHELLEY SNOOK	ELECTION WORK - AUDITOR	12.00
SHELLEY WELTER	REIMB EXP - SWIA MHDS REGION	658.75
SHELLY HOVEY	REIMB EXP - SWIA MHDS REGION	297.50
SHERI JOHANNES	ELECTION WORK - AUDITOR	231.75
SHIRLEY TRIMMELL	ELECTION WORK - AUDITOR	224.00
SMART WAVE TECHNOLOGIES LLC	PROF SVC - CONSERVATION	4,554.00
SNAP ON INCORPORATED	ROADS/TOOLS	1,398.76
SNYDER & ASSOCIATES INC	RAILROAD HWY TRL - NON-DEPARTMENTAL	26,681.34
SOUTHSIDE CHRISTIAN CHURCH	PRECINT RENT - AUDITOR	200.00
SOUTHWEST IOWA MENTAL HEALTH CENTER	MED SVC - SWIA MHDS REGION	639.00
SOUTHWEST IOWA PLANNING COUNCIL	TRANSPORT - SWIA MHDS REGION	1,423.71
SPEER FINANCIAL INC	PROF SVC - NON-DEPARTMENTAL	9,700.00
ST LUKES HEALTH RESOURCES	ROADS/DRUG SCREENING	168.00
ST PAULS EPISCOPAL CHURCH	PRECINT RENT - AUDITOR	200.00
STACY HUDSON	ELECTION WORK - AUDITOR	224.00
STAPLES INC	SUPPLIES - CO ATTORNEY	1,763.18
STAPLES INC	SUPPLIES - DHS	2,162.56
STAR EQUIPMENT LTD	ROADS/PARTS	531.19
STARLA PUNTENEY	ELECTION WORK - AUDITOR	293.29
STATE OF IOWA	ROADS/RENEWALS	45.00
STATE OF IOWA SECRETARY OF STATE	PROF SVC - JAIL	420.00
STATE UNIVERSITY OF IOWA	PROF SVC - ENV HEALTH	381.00
STELLA HUERTER	MEETING - PLANNING	39.38
SUE BARRETT	ELECTION WORK - AUDITOR	274.00
SUE MIZE	ELECTION WORK - AUDITOR	24.00
SUNSHINE HOMES INC	SUPPORT SVC - SWIA MHDS REGION	14,306.31
SUSAN DRISCOLL	ELECTION WORK - AUDITOR	268.92
SUSAN SULLIVAN	ELECTION WORK - AUDITOR	200.00
SUSPENSION SHOP INC	ROADS/REPAIR - 448	388.14
SUZANNE SENDEN	ELECTION WORK - AUDITOR	224.00
SUZANNE WATSON	REIMB EXP - SWIA MHDS REGION	340.00
SUZANNE WOOD	ELECTION WORK - AUDITOR	224.00
SYMPHONY DIAGNOSTIC SERVICES NO 1	MED SVC - JAIL	335.00
SYNCHRONY BANK	MO BILL - JAIL	2,284.36
SYNCHRONY BANK	SUPPLIES - CONSERVATION	4,253.17
TAMI HARMAN	ELECTION WORK - AUDITOR	288.20
TAMMY PEDRICK	ELECTION WORK - AUDITOR	240.37
TANNER FRAIN	REIMB EXP - SHERIFF	128.38
TECHNOALPIN USA INC	EQUIP - CONSERVATION	3,960.00
TENEX SOFTWARE SOLUTIONS INC	EQUIP - AUDITOR	1,750.00
TERESA REGAN	ELECTION WORK - AUDITOR	60.00
TERESA BOWEN	ELECTION WORK - AUDITOR	12.00
TERI GARBEZ	ELECTION WORK - AUDITOR	263.87
TERRACON CONSULTANTS INC	PROF SVC - PLANNING	3,480.00
TERRENCE FORD	ELECTION WORK - AUDITOR	236.00
TERRENCE SHANAHAN	RENT ASSIST - GA	400.00
TERRY BAILEY	ELECTION WORK - AUDITOR	236.00

TERRY COOPER	ELECTION WORK - AUDITOR	12.00
TERRY ROYER	ELECTION WORK - AUDITOR	274.94
THE FIRST CHRISTIAN CHURCH OF THE CITY OF COUNCIL BLUFFS IA	PRECINT RENT - AUDITOR	200.00
THE RADAR SHOP INC	PROF SVC - SHERIFF	2,808.00
THEA HARRISON	REIMB EXP - AUDITOR	9.00
THERESA BOWERMAN	ELECTION WORK - AUDITOR	224.00
THERISA HOWARD	ELECTION WORK - AUDITOR	294.09
THINK SPACE IT	PROF SVC - IT	9,014.30
THOMAS BERNEMANN	ELECTION WORK - AUDITOR	224.00
THOMAS MCMANNUS	ELECTION WORK - AUDITOR	56.00
THOMAS MINEAR	ELECTION WORK - AUDITOR	238.82
THOMAS ROSBURG	PROF SVC - CONSERVATION	516.96
THOMAS SCOTT MEFFERD	ELECTION WORK - AUDITOR	22.01
THOMAS SHIPP	ELECTION WORK - AUDITOR	242.41
TIMOTHY DONOVAN	ELECTION WORK - AUDITOR	224.00
TIMOTHY HOBBS	ELECTION WORK - AUDITOR	12.00
TIMOTHY LUTHERAN CHURCH	PRECINT RENT - AUDITOR	200.00
TINIK INC	ROADS/PARTS	628.00
TORYANN CROZIER	PROF SVC - CONSERVATION	225.00
TRANSUNION RISK AND ALTERNATIVE DATA SOLUTIONS INC	PROF SVC - SHERIFF	75.00
TREASURER OF STATE OF IOWA	MED SVC - SWIA MHDS REGION	15,766.94
TRICIA SCHLEGEL	ELECTION WORK - AUDITOR	298.00
TRIVIUM LIFE SERVICES	SUPPORT SVC - SWIA MHDS REGION	23,713.31
TW VENDING INC	SUPPLIES - JAIL	807.01
UMB BANK NA	BOND - DBT SVC	268,026.93
UMBA (UNDERWOOD MEMORIAL BUILDING ASSOC)	PRECINT RENT - AUDITOR	200.00
UNDERWOOD FARM SUPPLY LLC	SUPPLIES - CONSERVATION	3,328.19
UNION PACIFIC MUSEUM ASSOCIATION	PRECINT RENT - AUDITOR	200.00
UNITED STATES CELLULAR CORPORATION	MO BILL - COMMUNICATIONS	346.34
US BANK NATIONAL ASSOCIATION	MO BILL - EMA	210.94
US BANK NATIONAL ASSOCIATION	MO BILL - VARIOUS	5,979.00
VALLEY VIEW VETERINARY CLINIC PLLC	PROF SVC - ANIMAL CONTROL	48.00
VAN WALL EQUIPMENT	ROADS/REPAIR	10,700.75
VERIZON COMMUNICATIONS INC	MO BILL - SHERIFF	11,856.07
VERMEER SALES & SERVICE INC	ROADS/PARTS	40.97
VERNA JOHNSON	ELECTION WORK - AUDITOR	224.00
VICKI MARTENS	ELECTION WORK - AUDITOR	284.24
VICKIE MAJOREK	ELECTION WORK - AUDITOR	250.00
VICTORIA FLOERKE	ELECTION WORK - AUDITOR	224.00
VISUAL EDGE INC	PROF SVC - SWIA MHDS REGION	36.46
VISUAL EDGE INC	ROADS/SUPPLIES	31.68
VOCATIONAL DEVELOPMENT CENTER INC	VOC/DAY - SWIA MHDS REGION	8,136.75
W W GRAINGER INC	ROADS/PARTS	60.46
VALENTINE OTOOLE LLP	SVC FEES - BOARD	3,500.00
WAUBONSIE MENTAL HEALTH CENTER	PSS - SWIA MHDS REGION	5,000.00
WAYNE D MARTIN	LANDSCAPING - EAST POTT SWCD	3,271.13
WENDY BILLMAN	ELECTION WORK - AUDITOR	286.00
WEST CENTRAL COMMUNITY ACTION	RENT - WIC	830.00
WEST PUBLISHING CORPORATION	PROF SVC - CO ATTORNEY	8,802.04
WESTERN ENGINEERING COMPANY INC	ROADS/MATERIALS	9,262.80
WESTWOOD APARTMENTS LLC	RENT ASSIST - GA	600.00
WEX BANK	ROADS/FUEL	30,782.93
WHEELER LUMBER LLC	ROADS/MATERIALS	22,186.61
WILLIAM BUHRMAN	ELECTION WORK - AUDITOR	224.00
WILLIAM LEWIS	ELECTION WORK - AUDITOR	12.00
WILLIAM SIMPSON	ELECTION WORK - AUDITOR	324.47
WILLIAM SOLLAZZO	PROF SVC - ENV HEALTH	375.00
WINDSTREAM HOLDINGS INC	MO BILL - COMMUNICATIONS	447.92
WOODBURY PINES APARTMENTS LLC	RENT ASSIST - GA	570.00
YANT TESTING SUPPLY & EQUIPMENT INC	ROADS/REPAIR - CARSON	3,559.50
YLONDA MAGUIRE	REIMB EXP - SWIA MHDS REGION	509.69
ZACHARIAH BOWEN	ELECTION WORK - AUDITOR	12.00
ZACHARIE NORMAN	REIMB EXP - SHERIFF	758.73
ZION RECOVERY SERVICES INC	CSRS - SWIA MHDS REGION	30,430.64
		<u>5,095,129.14</u>

Fund Summary

Fund	Pavment Amount
0001 - GENERAL BASIC FUND	479,876.48
0002 - GENERAL SUPPLEMENTAL FUND	2,330,462.57
0003 - GAMBLING RESOURCES FUND	15,895.57
0005 - WIC/FEDERAL FUNDING FUND	5,597.55
0007 - LOST CONSERVATION FUND	3,467.19
0011 - RURAL SERVICES BASIC FUND	215,905.02
0019 - PROPERTY ACQUISITION/IMPROVEMENT/MAINTENANCE FUND	92,724.00
0020 - SECONDARY ROADS FUND	518,090.80
0023 - REAP FUND	1,850.00
0027 - CO CONSERV LAND ACQ	2,272.25
0036 - LOST SOIL CONS WEST FUND	2,000.70
0037 - LOST SOIL CONS EAST FUND	3,596.13
0052 - VETERANS RELOCATION ALLOCATION FUND	2,500.00
1620 - BOND SERIES 2020A CAPITAL FUND	8,839.34
1630 - BOND SERIES 2021A CAPITAL FUND	89,931.93
1640 - BOND SERIES 2021B CAPITAL FUND	153,712.57
1650 - BOND SERIES 2022 CAPITAL FUND	9,700.00
1700 - BIKE TRAIL FUND	26,681.34
2200 - BOND SERIES 2016A DEBT FUND	5,312.50
2210 - BOND SERIES 2018 DEBT FUND	13,450.00
2220 - BOND SERIES 2020A DEBT FUND	33,000.00
2225 - BOND SERIES 2020B (LOSST) DEBT FUND	8,900.00
2230 - BOND SERIES 2021A DEBT FUND	16,800.00
2235 - BOND SERIES 2021C (LOSST) DEBT FUND	56,900.00
2240 - BOND SERIES 2021B DEBT FUND	113,500.00
2250 - BOND SERIES 2022 DEBT FUND	20,164.43
4000 - EMER MANAGEMENT SERVICE FUND	2,996.93
4010 - E911 FUND	18,501.84
4155 - MHDS REGION FUND	842,500.00
	<u>5,095,129.14</u>

Scheduled Sessions

Curtis Hamstra/Chief Juvenile Court Officer, Iowa Courts

**Discussion and/or decision on replacing the
seating on the 5th Floor.**

**Wendy Mueller/Executive Director, West Central
Community Action**

**Presentation to Board on West Central
Community Action; Discussion and/or decision
on funding request for \$15,000.**

WEST CENTRAL

COMMUNITY ACTION

EXD #22-0891

December 6, 2022

Melvyn Houser, Auditor
Pottawattamie County Courthouse
Council Bluffs, IA 51501

Dear Auditor:

Each year West Central Community Action asks the Board of Supervisors of Pottawattamie County to make an appropriation of funds to support our Agency and the programs we administer. This year our request is for \$15,000.00, which is the same as last years.

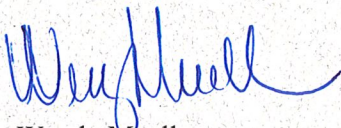
The funds we receive from the County Board of Supervisors are vitally important to WCCA. We will utilize the funding in one or more of the following ways:

- A portion of Outreach services, administrative and indirect costs.
- Local match requirements for WCCA programs.
- Support for additional funding needs of WCCA programs.

Enclosed is a report of our services, the value, and a basic profile of the people we assisted. We feel the programs that WCCA administers are important in meeting the needs of citizens in your community.

Thank you for your past support and we look forward to our continued partnership.

Sincerely,



Wendy Mueller
Executive Director



WEST CENTRAL
COMMUNITY ACTION

PROVIDED

\$5,859,127.00

*Worth of Services to
Pottawattamie County
Residents in FY 2022*

I.

Client Demographic Information

- A. What time frame does this report cover?** October 1, 2021 to September 30, 2022.
- B. How many client households have received services from WCCA during this report period?** # of Households = 2,151 made up of 4,704 individuals.
- C. What were the household family types in this client group?**
- 1) 432 or 20% are "Single parent/female" households.
 - 2) 59 or 3% are "Single parent/male" households.
 - 3) 225 or 11% are "Two parent" households.
 - 4) 956 or 44% are "Single person" households.
 - 5) 301 or 14% are "Two adults only" households.
 - 6) 178 or 8% are "Other family type" households.
- D. Poverty levels of households that have been served in Pottawattamie County.**
- 1) 1,220 or 57% have household income below the 100% poverty guideline.
 - 2) 657 or 30% have household income between 101% and 150% of the poverty guideline.
 - 3) 274 or 13% have household income above the 151% poverty guideline.
 - 4) The annual federal poverty guideline (100%) during this report period for a family of four was \$26,500.
- E. What were the sources of income for the households served in Pottawattamie County? (May be less or greater than 100% due to households having more than one source of income.)**
- 1) 1,278 or 71% receive monthly fixed income (SSI/SSD or other pensions).
 - 2) 627 or 29% receive income from employment (employment + other income + non-cash benefits (WIC, SNAP, LHEAP)).
 - 3) 28 or 2% receive unemployment benefits.

F. What was the age profile of individual clients served in Pottawattamie County?

- 1) 488 or 10% are 5 years of age and younger.
- 2) 1,248 or 27% are 6 years to 17 years of age.
- 3) 2,062 or 44% are 18 years to 59 years of age.
- 4) 701 or 15% are 60 years to 74 years of age.
- 5) 205 or 4% are 75 years of age or older.

G. What was the health profile for individual clients served in Pottawattamie County?

- 1) 993 or 21% are disabled.

H. What was the family size of the households that applied for services in Pottawattamie County?

- 1) 956 or 44% are 1 person households.
- 2) 526 or 24% are 2 person households.
- 3) 271 or 13% are 3 person households.
- 4) 206 or 10% are 4 person households.
- 5) 116 or 5% are 5 person households.
- 6) 77 or 4% are 6 or more person households.

I. Other facts about the households served in Pottawattamie County.

- 1) 712 or 33% of client households own or are buying their homes.
- 2) 1,426 or 66% of client households rent their home.
- 3) 13 or 1% of client households are homeless, unknown, or other.

I.

Council Bluffs Client Demographic Information

- A. What time frame does this report cover?** October 1, 2021 to September 30, 2022.
- B. How many client households have received services from WCCA during this report period?** # of Households = 1,831 made up of 4,003 individuals.
- C. What were the household family types in this client group?**
- 1) 381 or 21% are "Single parent/female" households.
 - 2) 52 or 3% are "Single parent/male" households.
 - 3) 186 or 10% are "Two parent" households.
 - 4) 803 or 44% are "Single person" households.
 - 5) 260 or 14% are "Two adults only" households.
 - 6) 149 or 8% are "Other family type" households.
- D. Poverty levels of households that have been served in Council Bluffs.**
- 1) 1,066 or 58% have household income below the 100% poverty guideline.
 - 2) 555 or 30% have household income between 101% and 150% of the poverty guideline.
 - 3) 210 or 12% have household income above the 151% poverty guideline.
 - 4) The annual federal poverty guideline (100%) during this report period for a family of four was \$26,500.
- E. What were the sources of income for the households served in Council Bluffs? (May be less or greater than 100% due to households having more than one source of income.)**
- 1) 1,087 or 72% receive monthly fixed income (SSI/SSD or other pensions).
 - 2) 544 or 30% receive income from employment (employment + other income + non-cash benefits (WIC, SNAP, LHEAP)).
 - 3) 25 or 2% receive unemployment benefits.

F. What was the age profile of individual clients served in Council Bluffs?

- 1) 422 or 10% are 5 years of age and younger.
- 2) 1,065 or 27% are 6 years to 17 years of age.
- 3) 1,784 or 45% are 18 years to 59 years of age.
- 4) 571 or 14% are 60 years to 74 years of age.
- 5) 161 or 4% are 75 years of age or older.

G. What was the health profile for individual clients served in Council Bluffs?

- 1) 791 or 20% are disabled.

H. What was the family size of the households that applied for services in Council Bluffs?

- 1) 803 or 44% are 1 person households.
- 2) 458 or 25% are 2 person households.
- 3) 236 or 13% are 3 person households.
- 4) 175 or 10% are 4 person households.
- 5) 96 or 5% are 5 person households.
- 6) 63 or 3% are 6 or more person households.

I. Other facts about the households served in Council Bluffs.

- 1) 551 or 30% of client households own or are buying their homes.
- 2) 1,269 or 69% of client households rent their home.
- 3) 11 or 1% of client households are homeless, unknown, or other.

II. SERVICES PROVIDED TO WCCA CLIENTS

HEAD START

Established in 1965, Head Start promotes school readiness for children, ages three to five, in low-income families by offering educational, nutritional, health, social and other services. The Head Start Program promotes school readiness by enhancing the social and cognitive development of children through the provision of educational, health, nutritional, social and other services to enrolled children and families. We actively engage parents in their children's learning and help them in making progress toward their educational, literacy and employment goals. Significant emphasis is placed on the involvement of parents in the Head Start Program.

West Central Community Action operates 3 Head Start classrooms in Pottawattamie County, located in Council Bluffs, serving a total of 48 children. West Central Community Action is also partnered with the Council Bluffs Community School District, serving a total of 50 children in 3 Council Bluffs elementary schools.

EARLY HEAD START

Early Head Start provides support to low-income infants, toddlers, pregnant women and their families. The EHS program enhances children's physical, social, emotional, and intellectual development; it assists pregnant women to access comprehensive prenatal and postpartum care; support parent's efforts to fulfill their parental roles; and help parents move toward self-sufficiency. In the home-based program, children and their families are supported through weekly home visits and bi-weekly socialization activities. Each home visit lasts for a minimum of 90 minutes; with the assistance of the home-based Teachers, parents carry out education activities with their infant or toddler in their own home.

West Central Community Action operates a Center-based Early Head Start option in Pottawattamie County, serving a total of 32 children.

CHILD CARE RESOURCE AND REFERRAL (CCR&R)

Child Care Resource and Referral (CCR&R) is available to assist families in selecting child care providers who best meet the needs of the child and their family. In Iowa, child care providers are identified by the quality indicators of voluntary participation with the Quality Rating System (QRS). This is a voluntary participation program available for all regulated child care providers in homes, centers, and preschools.

For a family in Pottawattamie County earning the median income of \$73,514 with an infant in child care they would pay 11% of their income before taxes for a registered child development home and 14% if their infant was in a licensed center. There were 138 child care programs with a capacity of 4988 spaces listed with CCR&R. The quality indicators as of July 1, 2022 are: 18 of 64 child development homes and 21 of 43 centers/preschools were participants of the QRS. The 2017 to 2022 trends are: Total # of child care programs = -30%; Total # of Spaces = -7%; Total # of children ages 0-5 = -5% decrease.

CHILD AND ADULT CARE FOOD PROGRAM (CACFP)

The Child and Adult Care Food Program (CACFP) promotes good nutrition, positive eating habits and attitudes for children in registered family child care homes. Childcare providers are given nutritional consultation and menu reviews. WCCA offers free KidKare online claiming. CACFP provides meal cost reimbursement. Staff performs in-service training, home visits, safety, sanitation inspections, and record keeping reviews. In Pottawattamie County, 649 children were enrolled in child care at 46 Home Providers participating in the CACFP Program during FY'22.

WEATHERIZATION

The Weatherization Assistance Program helps low-income households increase the energy efficiency of their homes and save money on fuel costs. Staff evaluate the homes and hire private contractors to insulate attics and walls, repair or replace windows and doors and provide minor repairs. All LIHEAP eligible households are referred to the Weatherization Program, with the State of Iowa creating a priority list based on heating costs and household dynamics.

In Pottawattamie County, 19 households received \$385,970.99 worth of Weatherization services in FY'22.

LOW-INCOME HOME ENERGY ASSISTANCE PROGRAM (LIHEAP)

The Low-Income Home Energy Assistance Program is designed to aid qualifying low-income Iowa households (homeowner and renters) in the payment of a portion of their residential heating costs for the winter heating season, to encourage regular utility payments, to promote energy awareness and to encourage reduction of energy usage through energy efficiency, and client education.

For FY'22, in Pottawattamie County 1,877 households received utility assistance for a total of \$945,874.26. LIHEAP approved households also received two additional supplemental payments for a total of \$697,723.00 in Pottawattamie County.

Emergency Crisis Intervention Payments (ECIP) are made for weather related and supply shortage emergencies. Money can help with furnace repairs/replacements, fuel delivery, reconnect fees, service continuity and cooling.

ECIP assisted 537 households for a total of \$387,502.28 and APRA ECIP assisted 632 households for a total of \$397,296.26 in Pottawattamie County during FY'22.

LOW-INCOME HOME WATER ASSISTANCE PROGRAM (LIHWAP)

Low-Income Household Water Assistance Program provides assistance to qualifying low-income households (homeowners or renters) with past due water and sewer bills and/or reconnection fees.

For FY'22, in Pottawattamie County 267 households received water assistance for a total of \$71,606.79.

I CARE - BLACK HILLS CARES – IOWA WEST FOUNDATION IWF ASSISTANCE

During FY'22, 17 households received \$4,150.26 in I CARE Assistance, 10 households received \$4,525.62 in Black Hills Cares Assistance, and 39 households received \$15,631.45 in IWF Assistance in Pottawattamie County.

EMBRACE IOWA

Embrace Iowa is a holiday fundraising program sponsored through the Des Moines Register, which assists individuals and households with non-traditional items.

For FY'22, 1 households received assistance for a total of \$750.00 in Pottawattamie County.

FAMILY DEVELOPMENT AND SELF-SUFFICIENCY (FaDSS)

The FaDSS Program basic design recognizes that at-risk families face many issues and respond well to long term, intense personal interaction with trained staff to move to emotional and economic independence. FaDSS believes that families can become strong, self-sufficient community members through voluntary participation in the array of services that the FaDSS program offers.

FaDSS develops a comprehensive system of support services for each family. The services are provided in a manner that promotes, empowers, and nurtures the family to self-sufficiency and healthy reintegration into the community. FaDSS emphasizes the strength of families and builds upon those strengths, assisting families to set and attain goals, while recognizing that families seek to address their multiple needs in a way that least threatens the integrity of the family unit.

This strong belief in the family unit is the foundation of the Certified Family Development Specialist's partnership with each family. Last year, 126 families benefited from the FaDSS Program in Pottawattamie County.

III.

ANNUAL PROGRAMS SERVICE DOLLARS INTO WEST CENTRAL COMMUNITY ACTION

These figures are the program dollars and/or value that go directly to clients, local vendors, etc., without administrative or delivery costs. These monies have a major economic impact in the local community through client goods, services, and/or salaries. Also, this assistance reduces the number and amount of demands on local county assistance resources.

1) Food and Shelter _____	\$	4,749
2) Fuel & Utility Assistance _____	\$	2,524,824
3) Head Start/Early Head Start _____	\$	1,491,410
4) Weatherization Services _____	\$	385,971
5) Child Care Services _____	\$	404,414
6) WIC Supplemental Foods _____	\$	0
7) Local Donations (Foods, Clothing, ECI Transportation, Pre-K Collaborations, Volunteers, Space & Donated Materials) _____	\$	121,176
8) Family Development Services _____	\$	312,473
9) Administration Services _____	\$	<u>0</u>
Accounting figures (10/01/21 to 09/30/22)	Total Dollars \$	5,245,017

IV.

ANNUAL AGENCY MANAGED ADMINISTRATIVE AND DELIVERY COSTS FOR PROGRAM SERVICES INTO WEST CENTRAL COMMUNITY ACTION

1) Food and Shelter _____	\$	244
2) Fuel & Utility Assistance _____	\$	169,230
3) Head Start/Early Head Start _____	\$	0
4) Weatherization Services _____	\$	115,812
5) Child Care Services _____	\$	154,517
6) WIC Supplemental Foods _____	\$	0
7) County Office for Services (Staff wages, fringe & associated costs) _____	\$	83,674
8) Family Development Services _____	\$	28,174
9) Administration Services _____	\$	<u>62,459</u>
Accounting figures (10/01/21 to 09/30/22)	Total Dollars \$	614,110

West Central Community Action's overall administrative costs are 3.28%
Overall delivery costs are 14.84%

V. SUMMARY

- A) 2,151 households and 4,704 individuals were served in FY'22 in Pottawattamie County.
- B) \$5,245,017 in direct client program services were provided to the county.
- C) \$614,110 in administrative and delivery costs were incurred by WCCA for Pottawattamie County.
- D) \$5,859,127 total dollars for services were provided by WCCA for Pottawattamie County.

Pottawattamie County Funding Request

Request Date 12/6/22

Board Meeting Date 12/6/22

Organization Name: West Central Community Action

Are you a nonprofit organization (If yes, what type 501c3, I.E.)? Yes / No

Are you a registered not-for-profit? Yes No

Organization Mailing Address: PO Box 709, Harlan IA 51537

Program or Project Name: WCCA Pottawattamie Outreach Services

Contact Person: Wendy Mueller

Title: Executive Director

Telephone: 712-755-5135

E-Mail: wmueller@westcca.org

Dollar Amount Requested: \$15,000

County Fiscal Year 2023

Total Program/Project Cost: \$90,648.00

Will County funding be leveraged with matching funds from another source? Yes No

Summary of Funding Request and Project Goals and Objectives:

The funds WCCA receives from the County Board of Supervisors are vitally important. The funds will be utilized in one or more of the following ways: Outreach services, administrative and indirect costs, local match requirements for WCCA programs, and/or support additional funding needs of WCCA programs serving residents of Pottawattamie County.

Describe the Public Purpose(s) and specifically identify the Economic Development that will be served by the funding:

The purpose of the funding is to achieve goals in advancing community development and improving social and economic conditions for individuals and families with limited resources in Pottawattamie County. The goal is to serve low-income individuals and families through programs and services including: Early Childhood Programs, Family Support Services, Health and Nutrition Education, Child Care Resources and Education, Energy Assistance and Weatherization.

Provide an Itemized Program/Project Budget Showing How the Funds will be expended:

Please see attached budget.

Attach additional pages if needed to fully answer any of the questions on this application

ASSURANCES FOR POTTAWATTAMIE COUNTY FUNDING

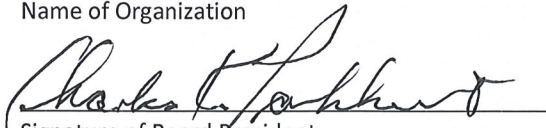
This signed page must accompany your funding request

The applicant hereby agrees and acknowledges that:

- 1) If awarded funds, the applicant will conduct operations in accordance with Title VI and the Civil Rights Act of 1964, as amended, and the Rehabilitation Act of 1973, as amended, which prohibits discrimination against any employee, applicant for employment, or any person participating in a sponsored program on the basis of race, creed, color, national origin, religion, sex, age, sexual orientation, or physical or mental disability, and require compensation for employment at no less than the minimum wage requirements and will provide safe and sanitary working conditions;
- 2) The applicant will expend funds received from Pottawattamie County solely for public purposes on the program or project described in the funding request;
- 3) All unexpended funds received pursuant to this request shall be returned to Pottawattamie County;
- 4) This funding request and assurances document has been approved by the legally authorized governing body of the applicant, if applicable;
- 5) The facts, figures, and information contained in this funding request, including all attachments, are true and correct;
- 6) Failure to comply with the rules of this program and this assurances agreement will result in the penalty of funding forfeiture and funds received during the applicable fiscal year shall be returned to Pottawattamie County;
- 7) At any time, the Board of Supervisors may require a representative from your organization to attend a public meeting to report progress toward completion of your program or project; and
- 8) Applicant will, upon request by Pottawattamie County, provide an accounting of all expenditures of Pottawattamie County funds and further provide any other documentation deemed necessary by Pottawattamie County to provide oversight for the funds. Failure to timely comply with requests from the County under this paragraph will result in suspension of funding.
- 9) Applicant acknowledges that other stipulations and conditions may be required by the Board of Supervisors before funding is awarded.

West Central Community Action

Name of Organization


Signature of Board President

11/7/22
Date

Wendy Mueller

Digitally signed by Wendy Mueller
Date: 2022.10.27 11:01:14 -05'00'

Signature of Executive Director (if applicable)

Date

Approved _____ Amount _____ BOS Chairman Signature _____

General Ledger System

WEST CENTRAL COMM. ACTION

For User: kbruck

Fund Expenditure report for: 104 - OUTREACH COST POOL (Fund status: Active)

Report year: 10/1/2022 thru 9/30/2023

Period ending: October 2022

Page: Page 1

Date: 11/3/2022

Time: 12:39:37 PM

Account	-----Monthly-----			-----To Date-----			Annual budget	Unexpended
	Budget	Expenditures	Pct	Budget	Expenditures	Pct		
Program:	98 O/R POTTAWATTAMIE COUNTY							
5000 DIRECT WAGES	\$1,263.00	\$272.75	21.60%	\$1,263.00	\$272.75	21.60%	\$15,167.00	\$14,894.25
5006 LTD/EAP	\$5.00	\$1.89	37.80%	\$5.00	\$1.89	37.80%	\$65.00	\$63.11
5007 WELLVIA	\$2.00	\$0.75	37.50%	\$2.00	\$0.75	37.50%	\$27.00	\$26.25
5008 IPERS FUND	\$119.00	\$15.41	12.95%	\$119.00	\$15.41	12.95%	\$1,432.00	\$1,416.59
5009 ACCRUED LEAVE	\$100.00	\$29.45	29.45%	\$100.00	\$29.45	29.45%	\$1,208.00	\$1,178.55
5010 FICA/MEDICARE	\$96.00	\$20.14	20.98%	\$96.00	\$20.14	20.98%	\$1,160.00	\$1,139.86
5011 STATE UNEMPLOYMENT	\$54.00	\$11.59	21.46%	\$54.00	\$11.59	21.46%	\$655.00	\$643.41
5012 WORKER'S COMP	\$24.00	\$2.53	10.54%	\$24.00	\$2.53	10.54%	\$298.00	\$295.47
5016 LIFE INSURANCE	\$2.00	\$1.54	77.00%	\$2.00	\$1.54	77.00%	\$32.00	\$30.46
5017 DISABILITY INSURANCE	\$2.00	\$1.49	74.50%	\$2.00	\$1.49	74.50%	\$32.00	\$30.51
5018 OFFICE SUPPLIES	\$19.00	\$21.06	110.84%	\$19.00	\$21.06	110.84%	\$228.00	\$206.94
5020 RENT	\$4,258.00	\$4,258.00	100.00%	\$4,258.00	\$4,258.00	100.00%	\$51,096.00	\$46,838.00
5021 UTILITIES	\$242.00	\$0.00	0.00%	\$242.00	\$0.00	0.00%	\$2,904.00	\$2,904.00
5022 INSURANCE	\$85.00	\$85.46	100.54%	\$85.00	\$85.46	100.54%	\$1,020.00	\$934.54
5024 BUILDING MAINTENANCE	\$433.00	\$0.00	0.00%	\$433.00	\$0.00	0.00%	\$5,196.00	\$5,196.00
5026 EQUIPMENT RENTAL	\$1.00	\$0.00	0.00%	\$1.00	\$0.00	0.00%	\$12.00	\$12.00
5028 ADVERTISING EXPENSE	\$83.00	\$0.00	0.00%	\$83.00	\$0.00	0.00%	\$996.00	\$996.00
5029 PUBLICATION/SUBSCRIPTIONS	\$8.00	\$0.00	0.00%	\$8.00	\$0.00	0.00%	\$96.00	\$96.00
5030 PHOTOCOPY/PRINTING	\$83.00	\$0.00	0.00%	\$83.00	\$0.00	0.00%	\$996.00	\$996.00
5032 TELEPHONE EXPENSE	\$379.00	\$67.10	17.70%	\$379.00	\$67.10	17.70%	\$4,548.00	\$4,480.90
5034 IN-AREA-TRAVEL	\$2.00	\$0.00	0.00%	\$2.00	\$0.00	0.00%	\$24.00	\$24.00
5038 DUES/FEES/REGISTRATIONS	\$4.00	\$0.00	0.00%	\$4.00	\$0.00	0.00%	\$48.00	\$48.00
5040 INDIRECT COST	\$194.00	\$0.00	0.00%	\$194.00	\$0.00	0.00%	\$2,328.00	\$2,328.00
5067 GRBG/LAWN/SNOW/PAINT	\$30.00	\$0.00	0.00%	\$30.00	\$0.00	0.00%	\$360.00	\$360.00
5167 I/T SERVICE	\$60.00	\$0.00	0.00%	\$60.00	\$0.00	0.00%	\$720.00	\$720.00
Total for sub program ----->	\$7,548.00	\$4,789.16	63.45%	\$7,548.00	\$4,789.16	63.45%	\$90,648.00	\$85,858.84
Total for program 98 ----->	\$7,548.00	\$4,789.16	63.45%	\$7,548.00	\$4,789.16	63.45%	\$90,648.00	\$85,858.84

Jason Slack/Director, Buildings & Grounds

**Discussion and/or decision on Change Order
10R; Exterior Gate for Treasurer's Loading
Dock.**



General Contractor's Cost Summary

PROJECT: Pott. Co. - Courthouse Addition PROJECT #: 107419E
 CONTRACTOR: Meco-Henne Contracting, Inc. DATE: 11/3/2022

Request for Change # and Description: #010 R ORC
Check ORC for Owner's Request for Change or CRC for Contractor's Request for Change: CRC

Reference: ASI # and Description: ASI #011 - Added Exterior Gate
 RFI # and Description: _____

Approved Declined

 OWNER _____ Date _____

Approved Declined

Kimberly A. Bogatz 11/8/2022
 Kimberly A. Bogatz, AIA, LEED AP BD+C Date

NOTE: This form, all Subcontractor/Material Supplier cost summary forms (if appropriate), itemized accountings and appropriate supporting data must be attached to any claim or contractor's request for change proposal for approval.

General Contractor Self Performed Work

1.	Material supplied by General Contractor.....	\$1,621.00
2.	General Contractor's Labor.....	\$4,138.56 (w/ burden
3.	Equipment	\$982.00
4.	Subtotal (lines 1, 2 and 3).....	\$6,741.56
5.	Overhead and Profit (15% of line 4).....	\$1,011.23
6.	Total of General Contractor Self Performed Work.....	\$7,752.79

Subcontractor Installation/Work on Site

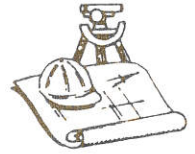
* (Attach Subcontractor/Supplier Cost Summary Sheet and Summaries/Breakdowns)

7.	Subcontractor's cost summary (include but are not limited to the following:)	
	a. Mason	\$1,025.00
	b. Drywaller	_____
	c. Roofer	\$625.00
	d. Flooring	_____
	e. Painter	_____
	f. Plumber	_____
	g. HVAC	_____
	h. Electrician	_____
	i. Other _____	_____
	j. Other _____	_____
	k. Other _____	_____
	l. Other _____	_____
	m. Other _____	_____
8.	Total Subcontractor's Cost (all lines under 7).....	\$1,650.00
9.	General Contractor's Overhead and Profit on Subcontractor's Work (5% of line 8).....	\$82.50
10.	Total of Subcontractor Installation/Work on Site (lines 8 and 9).....	\$1,732.50

Material Supplier/Subcontractor Providing Materials Manufactured Off Site for General Contractor to Install On Site

*** (Attach Subcontractor/Supplier Cost Summary Sheet and Summaries/Breakdowns)**

11.	Materials Supplied by Sub or Material Supplier (include but are not limited to the following)	
	a. Structural Steel.....	\$5,194.00
	b. Interior Architectural Woodwork.....	
	c. Doors.....	
	d. Windows.....	
	e. Hardware.....	
	f. Other.....	
	g. Other.....	
	h. Other.....	
	i. Other.....	
12.	Subtotal of Materials Supplied.....	\$5,194.00
13.	General Contractor's Overhead and Profit (5% of line 12)	\$259.70
14.	Total of Materials Supplied by Subcontractor/Material Supplier	\$5,453.70
15.	Material Supplied by General Contractor.....	
16.	General Contractor's Labor.....	
17.	Equipment	
18.	Subtotal (lines 15, 16, and 17).....	
19.	Overhead and Profit (15% of line 18).....	
20.	Total of General Contractor (lines 18 and 19).....	
<hr/>		
21.	Subtotal (lines 6, 10, 14, and 20)	\$14,938.99
22.	Bond at <u>1%</u> and Insurance at _____	\$149.39
23.	Total Contractors Request for Change (CRC) (lines 21 and 22)	\$15,088.00



November 3, 2022

Kim Bogatz
HGM Associates Inc.
640 Fifth Avenue
Council Bluffs, IA 51501

RE: Pottawattamie County Courthouse Addition - ORC #004

Ms. Bogatz,

Per supplementary drawing ASI #011, the cost to supply and install exterior gate is as shown below:

Total Cost: \$15,088.00

Gate is provided and install as per drawing details. Estimate summary is included. Contractor anticipates 6 week lead time upon approval of gate drawing. Demo and installation duration 3-4 days.

No additional contract days required to complete work.

Please advise as to how we are to proceed.

Let me know if you have any questions.

Thank you,

Jon Henne

Jon Henne Jr.
Meco-Henne Contracting, Inc.

Encl.
CC: Kim Bogatz, HGM
Ryan TerSteege, HGM



MECO-HENNE CHANGE SUMMARY

PROJECT: Pott County Courthouse Addition

DATE: 11/3/2022

DESCRIPTION: ORC #004 - ASI #011 Added Exterior Gate

DIRECT COSTS

1) EQUIPMENT	(per attached sheets)	\$982.00
2) MATERIAL	(per attached sheets)	\$1,621.00
3) EQUIPMENT & MATERIAL SUBTOTAL		\$2,603.00
4) RAW LABOR	(per attached sheets)	\$2,919.00
5) LABOR BURDEN (fringes, benefits, insur.)	RATE: 39%	\$1,138.41
6) SAFETY & WARRANTY	2% of Labor	\$81.15
7) TRUCK/HAULING		\$0.00
8) EQUIPMENT RENTAL		\$0.00
9) SUBTOTAL		\$6,741.56
	O-H & PROFIT 15%	\$1,011.23

SUBCONTRACTORS

1) Masonry/Brick Tooth - Nauslar		\$1,025.00
2) Metal Cap - West Central Roofing		\$625.00
3) Gate Material Buy- Katelman		\$5,194.00
4)		
5)		
SUBCONTRACTOR SUBTOTAL		\$6,844.00
	O-H & PROFIT 5%	\$342.20
	SUBTOTAL	\$14,938.99
	BOND 1%	\$149.39
	CHANGE ORDER TOTAL	\$15,088.38
	FINAL ADJUSTMENT	\$15,088.00



Meco-Henne Contracting
Takeoff

Date: 11/3/2022
Estimator: JHJR

Project: 2106
Sheet No. 1 of 1

ORC #004 - ASI #011 Exterior Gate

Description of Work	Quantity	Unit	Equip. U.P.	Equip. Total	Material U.P.	Material Total	Labor U.P.	Labor Total	S.U.P.	Sub Total
ORC #004 - ASI #011 Added Exterior Gate										
Removals				\$0.00		\$0.00		\$0.00		\$0.00
Saw Cut/Tooth Wall	13	LF	\$15.00	\$195.00	\$15.00	\$195.00	\$20.00	\$260.00		\$0.00
Demo Conc/Brick Salv Wall	21	SF	\$10.00	\$210.00	\$10.00	\$210.00	\$15.00	\$315.00		\$0.00
Haul/Load Concrete	21	SF	\$12.00	\$252.00	\$3.00	\$63.00	\$6.00	\$126.00		\$0.00
Remove Existing Metal Cap	25	LF		\$0.00	\$2.00	\$50.00	\$3.50	\$87.50		\$0.00
Protection/Clean-Up	1	LS	\$100.00	\$100.00	\$150.00	\$150.00	\$150.00	\$150.00		\$0.00
New Gate				\$0.00		\$0.00		\$0.00		\$0.00
Gate/Latch/Stop Installation	1	LS	\$200.00	\$200.00	\$500.00	\$500.00	\$1,500.00	\$1,500.00		\$0.00
Concrete Sill Drill & Epoxy Rebar	5	EA	\$5.00	\$25.00	\$15.00	\$75.00	\$10.00	\$50.00		\$0.00
Rebar Material/Install at Concrete Sill	12.5	LBS		\$0.00	\$10.00	\$125.00	\$3.00	\$37.50		\$0.00
EJ @ Concrete Sill	6	LF		\$0.00	\$3.00	\$18.00	\$3.00	\$18.00		\$0.00
Form Concrete Sill	1	LF		\$0.00	\$75.00	\$75.00	\$150.00	\$150.00		\$0.00
Concrete Sill Material	>1	CY		\$0.00	\$150.00	\$150.00		\$0.00		\$0.00
Concrete Sill Place & Finish	1	LS		\$0.00	\$10.00	\$10.00	\$225.00	\$225.00		\$0.00
				\$0.00		\$0.00		\$0.00		\$0.00
				\$0.00		\$0.00		\$0.00		\$0.00
				\$0.00		\$0.00		\$0.00		\$0.00
				\$0.00		\$0.00		\$0.00		\$0.00
SUBTOTAL				\$982.00		\$1,621.00		\$2,919.00		\$0.00

Katelman Steel Fabrication Inc. Contract Modification

Customer's Order No.: _____

KSFI Job No.: 21079

Date: 10/28/2022

Modification No.: 006

To: Meco-Henne Contracting, Inc.

From: Katelman Steel Fabrication Inc.

4140 S. 87th St.

2030 Second Avenue

Omaha, NE 68127

Council Bluffs, Iowa 51501

Attn: Jon Henne Jr.

Attn: Sean Meginnis

Ph.No: 402-339-8127

Ph. No.: (712)323-3131

Email: jhennejr@mecohenne.com

Fax No.: (712)323-3154

Project Name: Pottawattime Co. Courthouse

The following changes will be made to our contract:

<i>Description: Materials, Fabrication, Detailing, & Delivery of ASI 011 Gate</i>	
<i>Material Add (including drop, galv)</i>	= 3,427.00
<i>Material Deduct</i>	= 0.00
<i>Labor add</i>	9hr @ \$70/hr = 630.00
<i>Labor deduct</i>	0hr @ \$70/hr = 0.00
<i>Detailing</i>	4hrs @ \$85/hr = 340.00
<i>Engineering</i>	0hrs @ \$150/hr = 0.00
<i>Freight</i>	= 325.00
<i>Sub-total</i>	= 4,722.00
<i>Overhead & Profit (10%)</i>	= 472.00
<i>Sub-total</i>	= 5,194.00
<i>Deck</i>	= 0.00
<i>Deck Overhead & Profit (5%)</i>	= 0.00
<i>Tax (0%)</i>	= 0.00
<i>Grand Total</i>	= 5,194.00

Upon your approval, the contract will be: Increase
In the amount of: (increased / decreased)
\$5,194.00

The modification listed above could potentially result in a delay of the fabrication & delivery schedule.
Proposal valid for 30 days.

Accepted on: _____

Katelman Steel Fabrication Inc.

By: _____

By: _____

Title: _____

Title: _____

Jon Henne Jr.

Subject: FW: Pott County Courthouse

From: James Nauslar <nauslarconstruction@gmail.com>

Sent: Monday, July 11, 2022 1:21 PM

To: Jon Henne Jr. <jhennejr@mecohenne.com>

Subject: Pott County Courthouse

Jon,
The cost for the added exterior gate would be \$1025 with profit to repair and tooth brick wall. Assume we could re-use existing brick.



Thank you very much,

Jim Nauslar, President
Nauslar Construction, Inc.
402.215.2227

Jon Henne Jr.

Subject: FW: Pott County Roof Metal

From: Harley Leaders <wcr@walnutel.net>
Sent: Tuesday, November 1, 2022 8:10 AM
To: Jon Henne Jr. <jhennejr@mecohenne.com>
Subject: Re: Pott County Roof Metal

Yes. Price to replace existing metal cap at exterior stair.

Material: \$325

Labor: \$300

Total: \$625

Sent from my iPhone

On Oct 28, 2022, at 9:15 AM, Jon Henne Jr. <jhennejr@mecohenne.com> wrote:

Harley,

Could you please send me an email that documents the price you gave me over the phone for the Exterior Gate added per ASI #011.

Jon



Jon Henne Jr.
Project Manager/Estimator
4140 South 87th St.
Omaha, NE 68127
402-339-8127 (O)
402-708-3986 (C)



ARCHITECT'S SUPPLEMENTAL INSTRUCTIONS

Project: Pottawattamie County, Iowa – Courthouse Addition

HGM Project Number: 107419E

Approved By:

Sent to:

Owner
Architect
Contractor
Field
Other

Owner: Pottawattamie County Board of Supervisors

To Contractor: Meco-Henne Contracting, Inc.

Supplemental Instruction No: ASI #011 -Added Exterior Gate

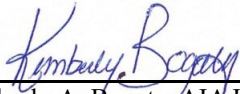
Date: **May 18, 2022**

The Work shall be carried out in accordance with the following supplemental instructions issued in accordance with the Contract Documents without change in Contract Time. If there is a change in Contract Time or Cost, submit a Cost Summary on the Architect's Form, along with backup information with any change in contract time, before proceeding with the Work.

Owner Request for Change
Contractor Request for Change

DESCRIPTION:

Remove a section of the existing masonry and concrete exterior stair wall on the north side and add a galvanized steel gate per the attached Notes and Supplemental Drawings.



Kimberly A. Bogatz, AIA LEED AP BD+C
HGM Associates Inc.

Attachments: Notes, SD8, SD9 & SD10

ASI# 011 – ADDED EXTERIOR GATE

GENERAL NOTES:

SPECIFICATIONS AND OTHER REQUIREMENTS/CRITERIA OF THE ORIGINAL PROJECT DOCUMENTS SHALL REMAIN ENFORCE WITH THE EXCEPTION OF THE MODIFICATIONS NOTED BELOW FOR THE CONSTRUCTION AND INSTALLATION OF THE NEW ACCESS GATE.

MASONRY:

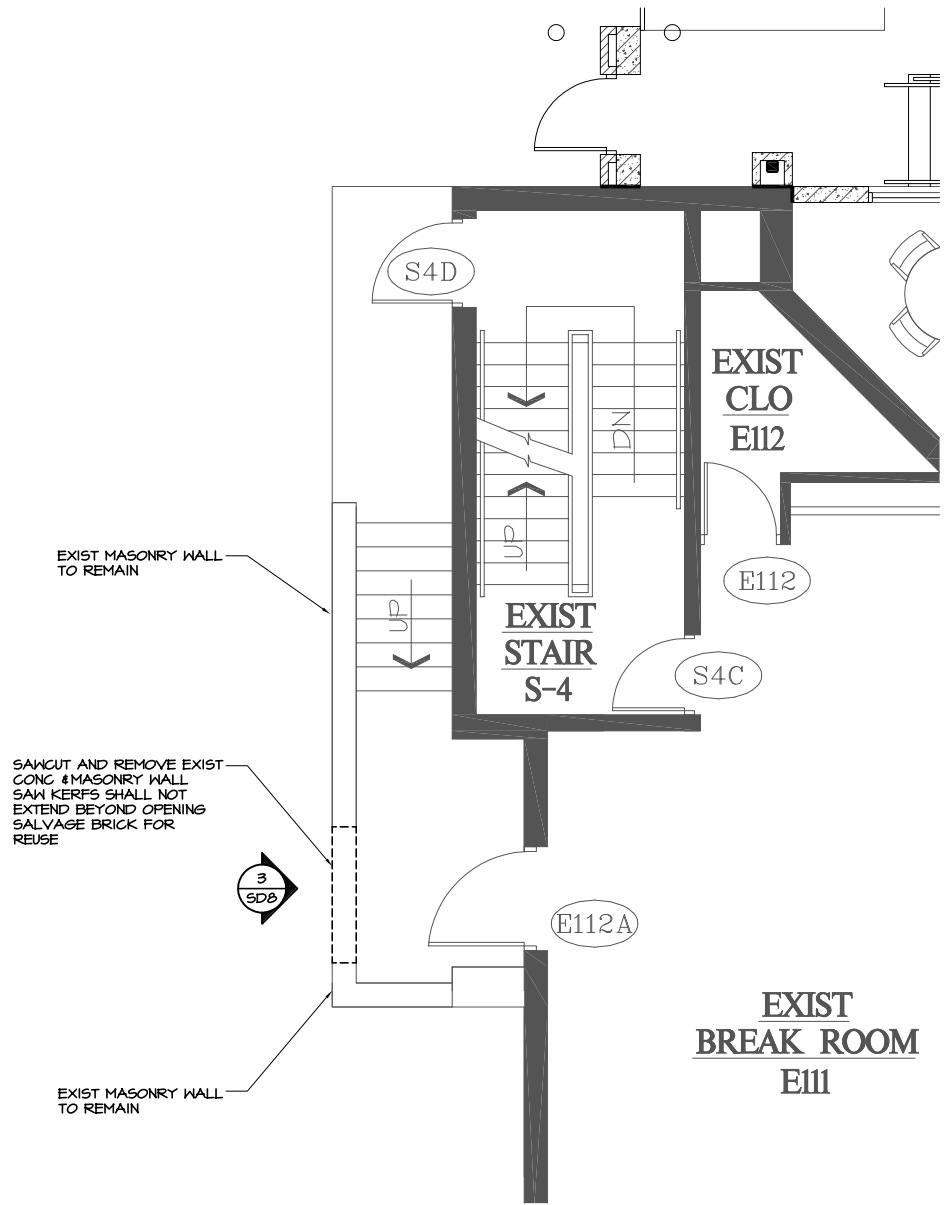
1. WIDTH AND HEIGHT OF EXISTING BRICK REMOVAL SHALL BE ESTABLISHED BY THE CONTRACTOR BASED ON THE FOLLOWING CRITERIA:
 - 1.1. BRICK AT OPENING JAMBS SHALL BE REMOVED IN A SAW-TOOTH MANNER SO REPLACEMENT BRICK CAN BE INSTALLED MATCHING THE EXISTING MASONRY BOND PATTERN.
 - 1.2. REMOVED BRICK SHALL BE SALVAGED AND REUSED AT THE JAMBS AND SILL OF THE NEW GATE OPENING. ONLY UNDAMAGED BRICK AND BRICK WITH THE EXISTING MORTAR REMOVED SHALL BE USED.
2. MORTAR (TYPE S) AND TOOLING SHALL MATCH EXISTING.

SAW CUTTING:

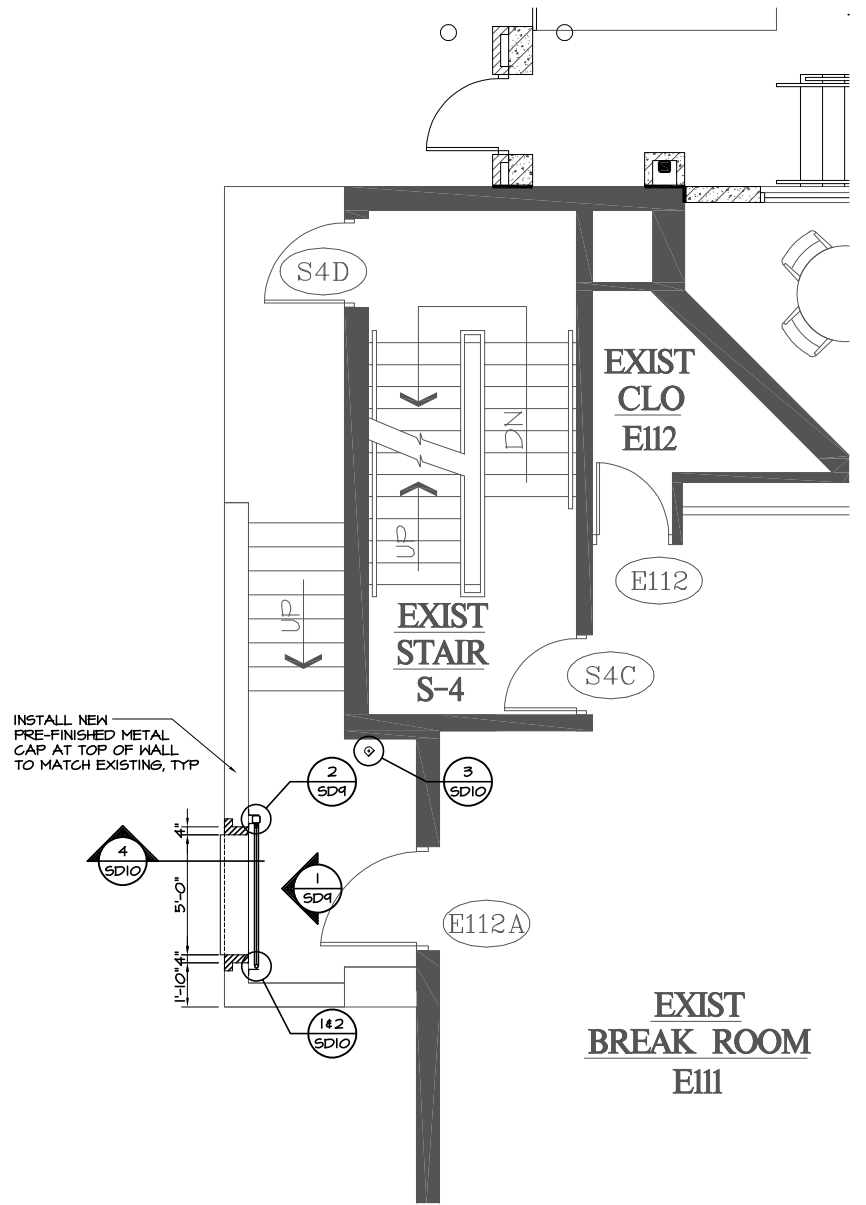
1. SAW KERFS
 - 1.1. SHALL NOT EXTEND INTO THE EXISTING ENTRANCE SLAB.
 - 1.2. SHALL NOT EXTEND BEYOND THE WIDTH AND DEPTH/HEIGHT DESIGNATED FOR THE NEW GATE OPENING.
2. SAW CUTS SHALL BE STRAIGHT LINES.
3. SAW CUTTING SLURRY SHALL BE CONTROLLED SO AS NOT TO DAMAGE ANY EXISTING SURFACES OF PLANTINGS.

MISCELLANEOUS STEEL:

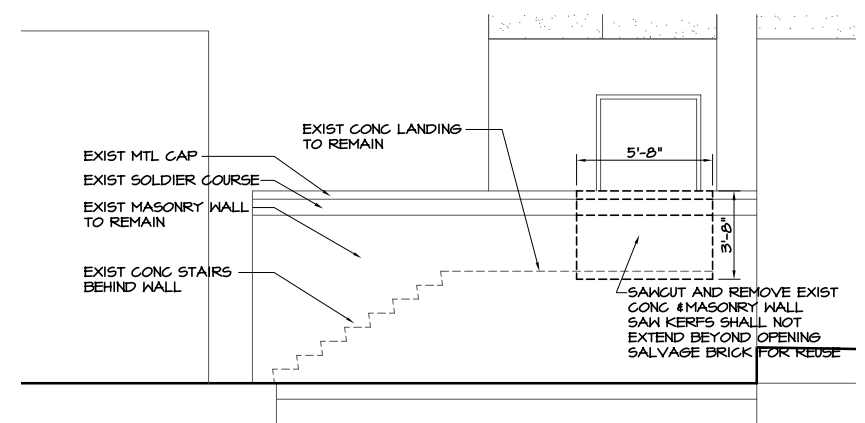
1. NON-WELDED CORNERS OF ALL ANGLES SHALL BE FINISHED WITH A 1" RADIUS.
2. ALL EDGES/CORNERS SHALL BE EASED WITH A 1/8" RADIUS.
3. ALL NEW STEEL ITEMS SHALL BE HOT DIP GALVANIZED FOLLOWING ASSEMBLY TO THE GREATEST EXTENT POSSIBLE.
4. PROPOSED GALVANIZING VENT HOLES SHALL BE SHOWN ON THE SHOP DRAWINGS. BEFORE DELIVERY TO THE JOB SITE VENT HOLES SHALL BE FILLED WITH ZINC PLUGS DRIVEN TIGHT TO THE SURFACE/PROFILE OF THE VENTED MEMBER.
5. GATE, POST, STOP, AND LATCH/STOP ASSEMBLIES SHALL BE INSTALLED VERTICALLY. WHEN HALF OPENED THE GATE SHALL NOT MOVE TOWARDS OPENING OR CLOSING. WHEN FULLY OPEN THE GATE SHALL NOT MOVE TOWARDS CLOSING.
6. FIELD WELDS SHALL BE CLEANED OF ALL FLUX/SLAG AND SMOKE, ALLOWED TO COOL TO AMBIENT FIELD TEMPERATURES, AND THEN GIVEN TWO COATS OF ZRC COLD GALVANIZING COMPOUND (DRY FILM - 95% ZINC). COMPOUND SHALL BE FEATHERED SO AS NOT TO BE VISIBLE WHEN THE ENTIRE GATE ASSEMBLY, POST, AND STOP ASSEMBLIES ARE FIELD PAINTED.
7. ALL NEW ITEMS SHALL BE PAINTED.



1 PARTIAL DEMO PLAN
SCALE: 1/8"=1'-0"

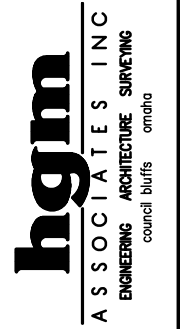


2 PARTIAL FLOOR PLAN
SCALE: 1/8"=1'-0"

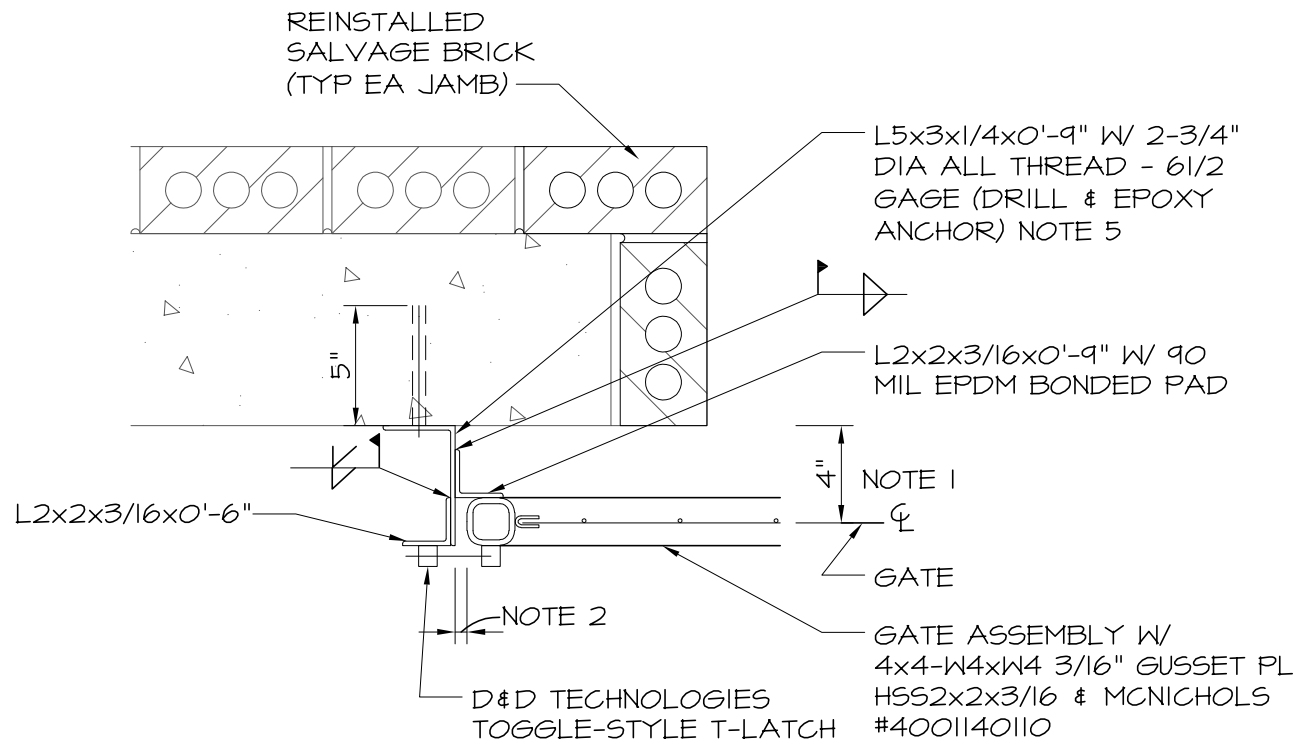


3 PARTIAL DEMO ELEVATION
SCALE: 1/8"=1'-0"

SUPPLEMENTAL DRAWING
PROJECT # : 107419E
DATE: 05-18-22
POTTAWATTAMIE COUNTY
COURTHOUSE ADDITION



ASI NO. 011
SHEET NO.
SD8

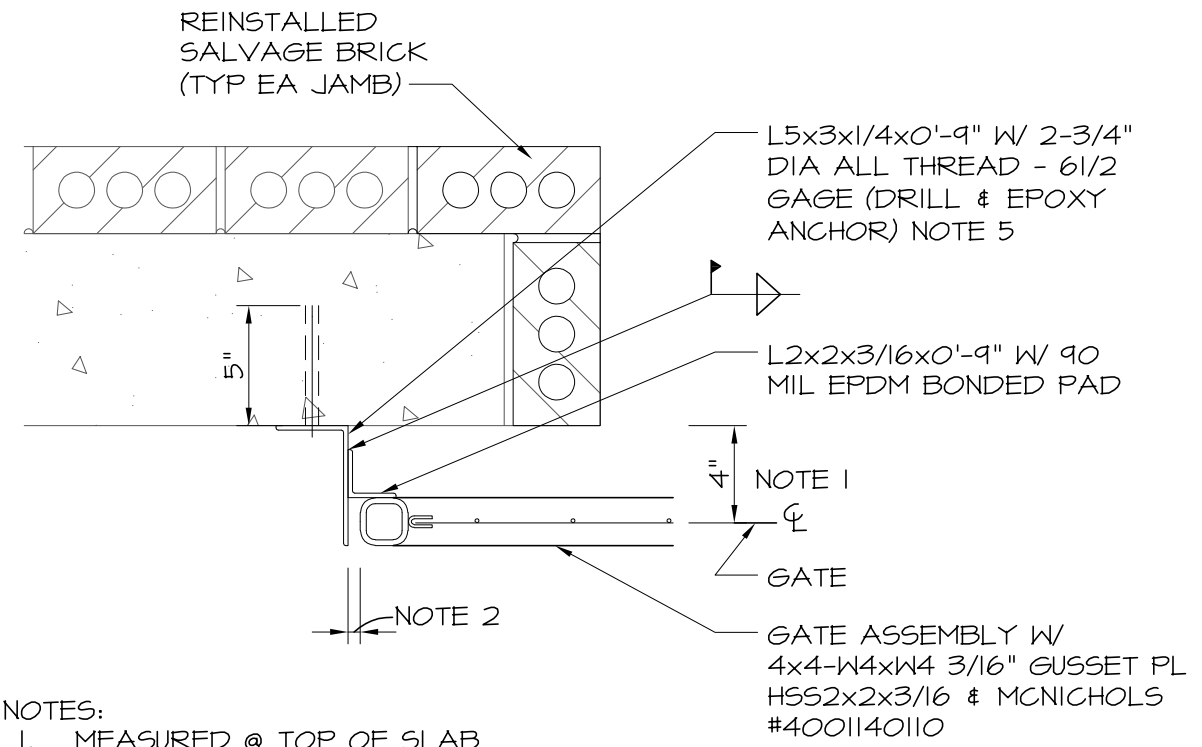


NOTES:

1. MEASURED @ TOP OF SLAB
2. AS RECOMMENDED BY D&D TECH FOR PROPER FUNCTION OF LATCH
3. ALL NON-WELDED ANGLE CORNERS SHALL HAVE 1" RADIUS
4. ALL ANGLE & ALL THREAD SHALL BE HOT-DIP GALVANIZED
5. ALIGN W/ UPPER 9" L4x3x1/4 ON HINGE POST

1 UPPER LATCH/STOP

SCALE: 1 1/2"=1'-0"

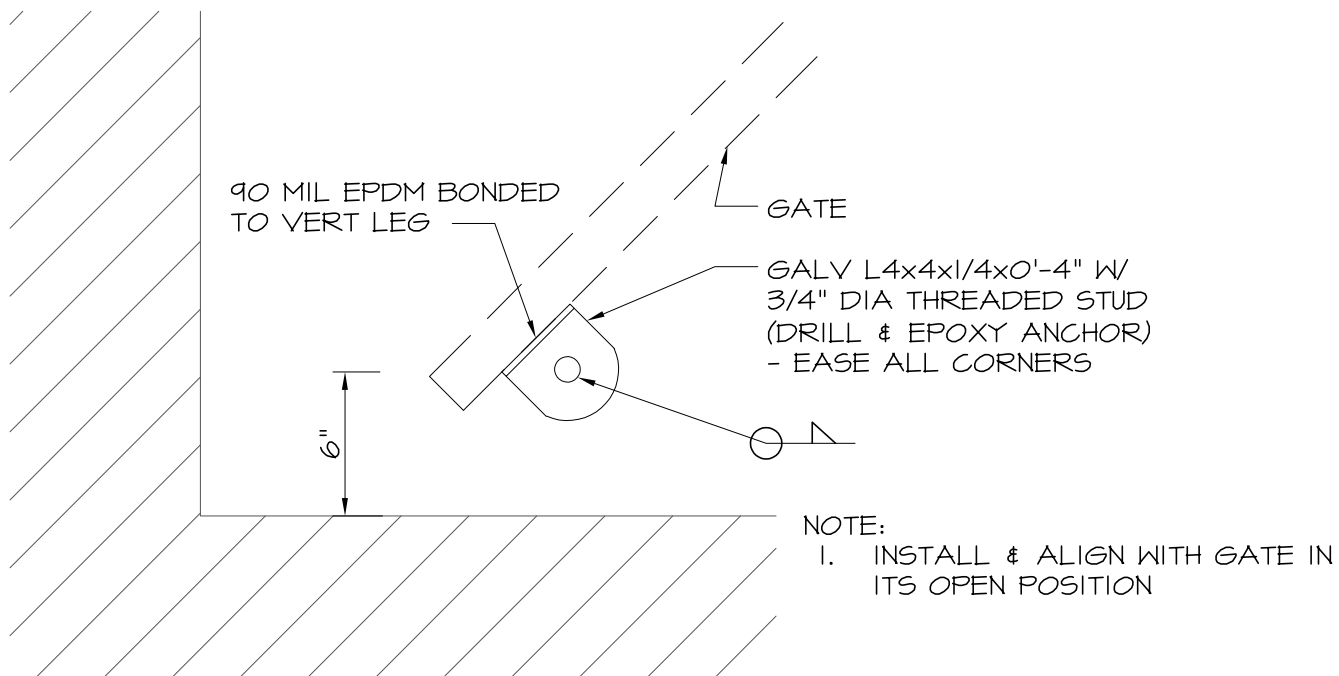


NOTES:

1. MEASURED @ TOP OF SLAB
2. MATCH UPPER LATCH/STOP ASSEMBLY
3. ALL NON-WELDED ANGLE CORNERS SHALL HAVE 1" RADIUS
4. ALL ANGLE & ALL THREAD SHALL BE HOT-DIP GALVANIZED
5. ALIGN W/ UPPER 9" L4x3x1/4 ON HINGE POST

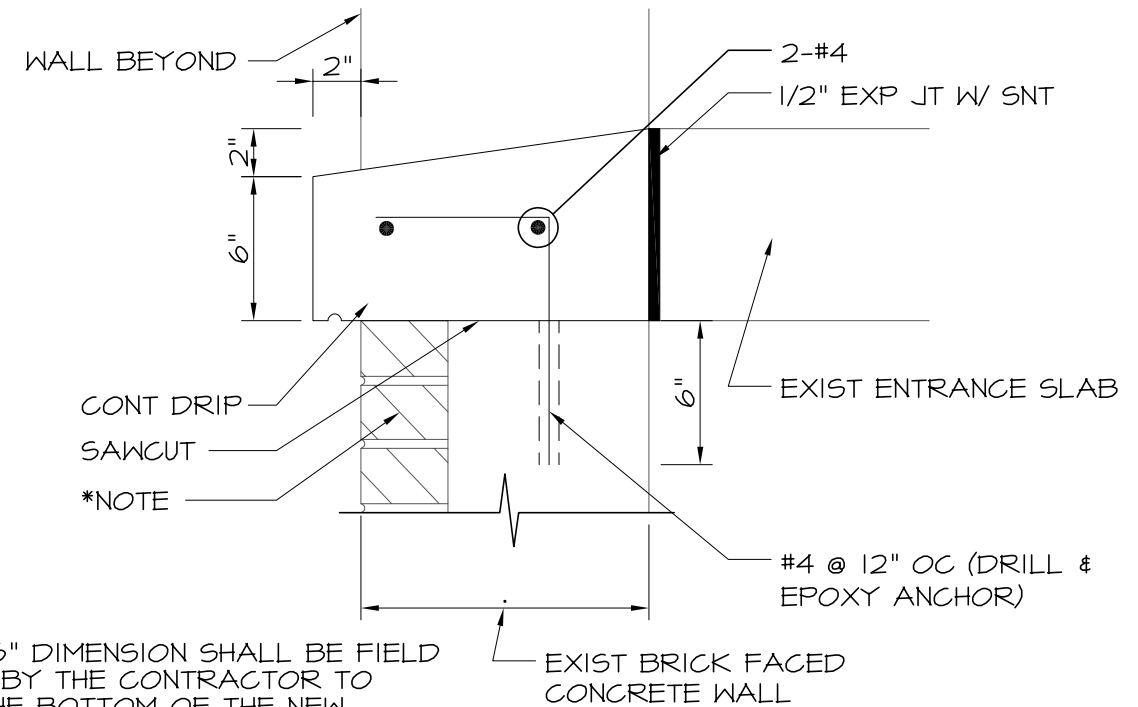
2 LOWER STOP

SCALE: 1 1/2"=1'-0"



3 GATE STOP

SCALE: 1 1/2"=1'-0"



*NOTE: THE 6" DIMENSION SHALL BE FIELD VERIFIED BY THE CONTRACTOR TO ENSURE THE BOTTOM OF THE NEW CONCRETE ALIGNS WITH A MORTAR JOINT AS SHOWN

4 SILL

SCALE: 1 1/2"=1'-0"

Received/Filed

Public Comments